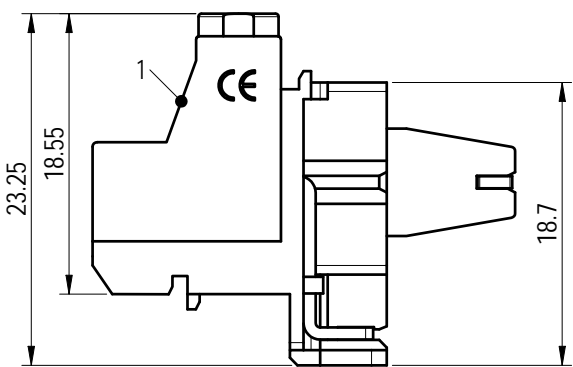
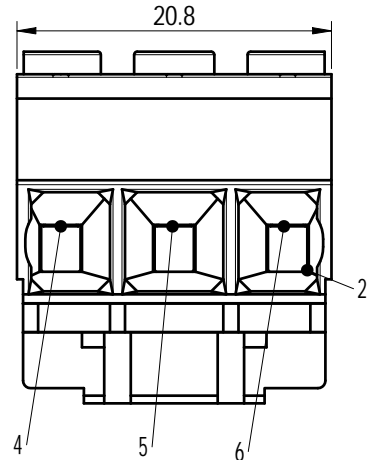
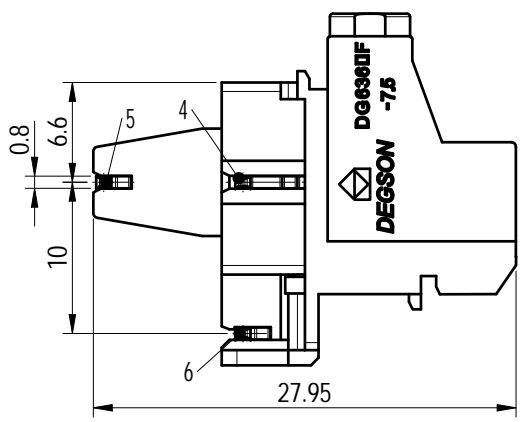
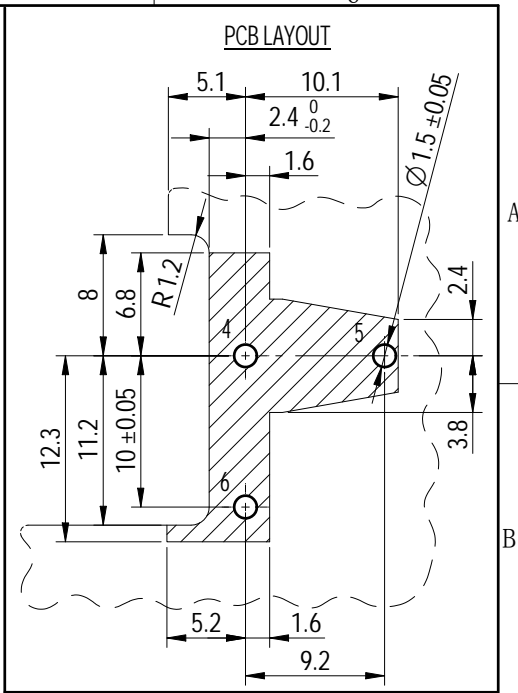
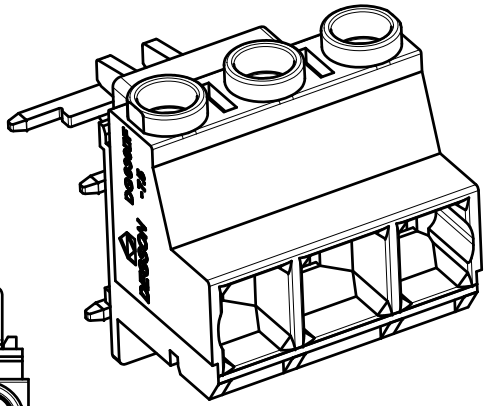
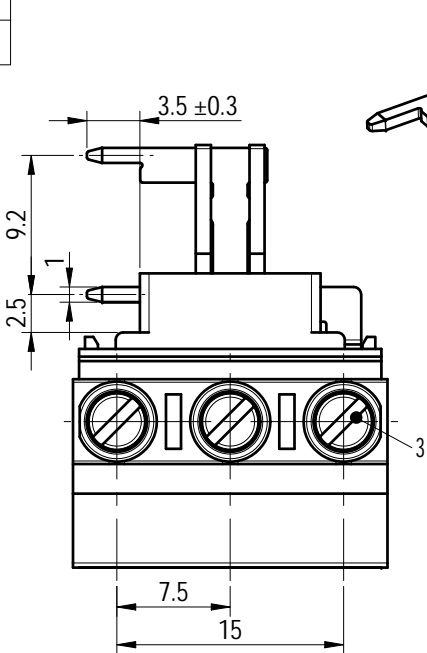


未注公差/General tolerances (mm)													
0	>3	>6	>10	>18	>30	>50	>80	>120	>180	>250	>315	>400	
~3	~6	~10	~18	~30	~50	~80	~120	~180	~250	~315	~400	>500	
±0.12	±0.18	±0.22	±0.26	±0.31	±0.37	±0.57	±0.80	±0.93	±1.05	±1.15	±1.60	±2.20	±2.50

UL 标准/UL Standard:	B	C	D
额定电压/电流/Rated Voltage(V)/Current(A)	300/20	300/20	600/5
IEC 标准/IEC Standard:			
过压类别/Overvoltage Category/污染等级/Pollution Degree	III/3	III/2	II/2
额定电压/电流/Rated Voltage(V)/Current(A)	630/24	800/24	1000/24
额定脉冲电压(KV)/Rate Impulse Voltage(KV)	6	6	6
螺丝扭矩/Torque Tightening(N·m/Lb.in)	M3, 0.6/5.32		
线径范围(硬线和软线)/Wire Range(rigid and flexible)(AWG/mm²)	30~12/ 0.2~2.5		
剥线长度/Stripping length(mm)	8		
使用温度范围/Operating temperature(°C)	-40~+105		
符合RoHS环保要求/Conform to RoHS	Yes		

6	Pin header-3	Copper	Sn Plated
5	Pin header-2	Copper	Sn Plated
4	Pin header-1	Copper	Sn Plated
3	Screw	Steel	M3/Zn Plated
2	Cage	Copper alloy	M3/Ni Plated
1	Housing	PA66	UL94V-0
ITEM	NAME OF PART	MATERIAL	NOTES

Note: The A&Z(H) in the name means: A(H) and Z(H).



		MATERIAL: -	SURFACE/COLOR:		
		MAT NO./REV: -	MAT STATUS: 批量		
APPD: 兰春华	2023.02.08	NAME			
CHKD: 陈招	2023.02.08	DG636LF-7.5-03P-1Y-00A&Z(H)			
DRFT: 袁路易	2023.02.07	DRAWING NO.	TYPE	DRAWING STATUS	SCALE
		200022404	CUSTOMER DRAWING	已发布	2:1
				SHEET	1/1

00	ECN	DESCRIPTION	DRFT	DATE
			袁路易	2023.02.07

Transfer or duplication of this document as well as the utilization or communication of its content are prohibited unless express approval is granted. Violations will be treated as illegal activities and the violator will be held liable for compensation. All rights reserved for patent. 未经授权复制或传播本文件内容，或在本文件内容基础上进行任何修改、复制或传播，均属于侵权行为，公司将依法追究。除专利号外，其他内容均受法律保护。 除专利号外，其他内容均受法律保护。