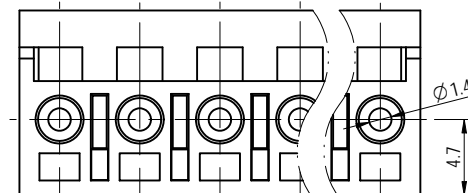
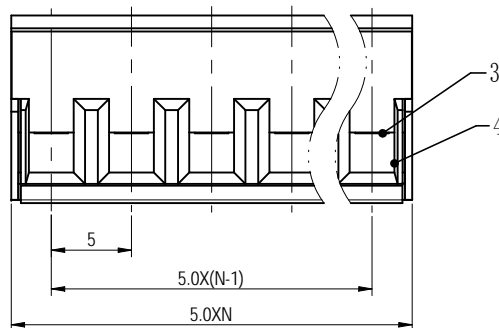
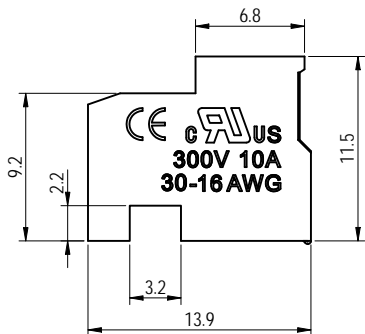
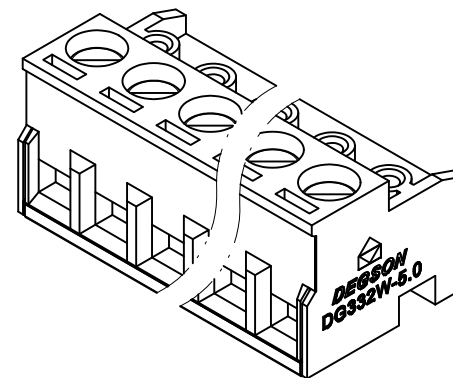
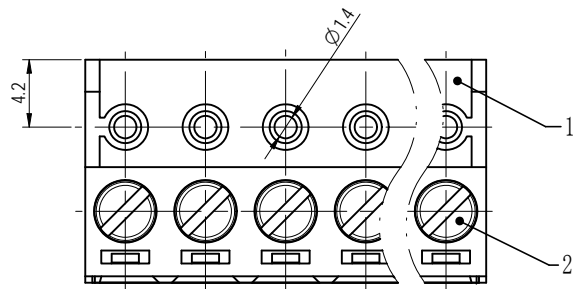


公差/General tolerances (mm)													D 0.1/10	
0	>3	>6	>10	>18	>30	>50	>80	>120	>180	>250	>315	>400		>500
±0.12	±0.18	±0.22	±0.26	±0.31	±0.37	±0.57	±0.80	±0.93	±1.05	±1.15	±1.60	±2.20	±2.50	±2



Note:  
The A&Z(H) in the name means: A(H) and Z(H).

ITEM	NAME OF PART	MATERIAL	NOTES
4	Cage	Copper alloy	M2.5/Ni Plated
3	Clamp	Copper alloy	Sn Plated
2	Screw	Steel	M2.5/Zn Plated
1	Housing	PA66	UL94V-0

UL 标准/UL Standard:	B	C	D
额定电压/电流/Rated Voltage(V)/Current(A)	300/10	/	300/10
IEC 标准/IEC Standard:			
过压类别/Overvoltage Category/污染等级/Pollution Degree	III/3	III/2	II/2
额定电压/电流/Rated Voltage(V)/Current(A)	/	250/12	/
工频耐压/Withstanding voltage(V/1Min)	/	AC2000	/
螺丝扭矩/Torque Tightening(N·m/Lb.in)	M2.5: 0.4/3.54		
线径范围(硬线和软线)/Wire Range(rigid and flexible)(AWG/mm²)	30~16/0.2~1.5		
间距/Pitch(mm)/线数范围/Poles	5.0/N=02~12P		
剥线长度/Stripping length(mm)	5~6.5		
使用温度范围/Operating temperature(°C)	-40~+105		
符合RoHS环保要求/Conform to RoHS	Yes		

<b>DEGSON</b>		MATERIAL:	SURFACE/COLOR:	
APPD: 兰春华	2022.08.18	MAT NO./REV:	/ 00	MAT STATUS: 批量
CHKD: 陈滔	2022.08.18	NAME: DG332W-5.0-XXP-1Y-00A&Z(H)		
DRAFT: 黄徐涛	2022.08.18	DRAWING NO.	TYPE	DRAWING STATUS
REV	ECN	DESCRIPTION	CUSTOMER DRAWING	已发布
00			200103642	SCALE: 1:1
REV	ECN	DESCRIPTION	DRAFT	DATE
				2022.08.18

REV	ECN	DESCRIPTION	DRAFT	DATE	SCALE	SHEET
00				2022.08.18	1:1	1/1

Transfer or duplication of this document as well as the utilization of its contents without the written permission of DEGSON is prohibited. All rights reserved for patent.