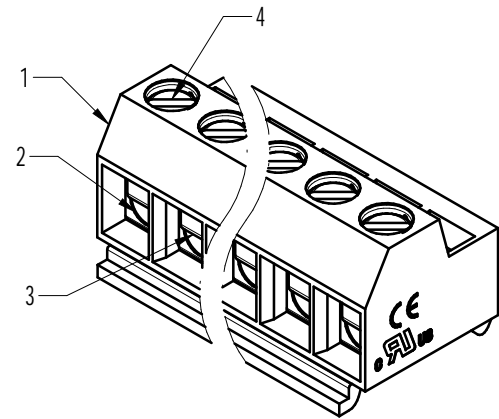
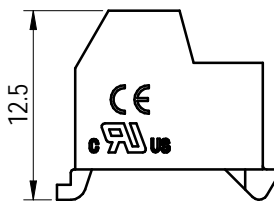
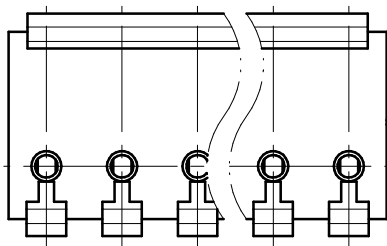
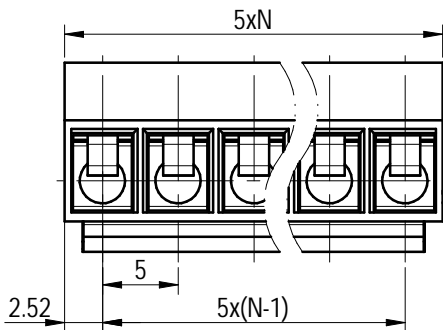
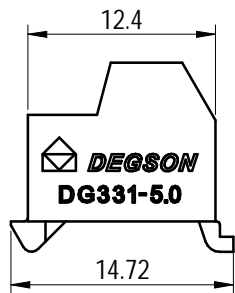
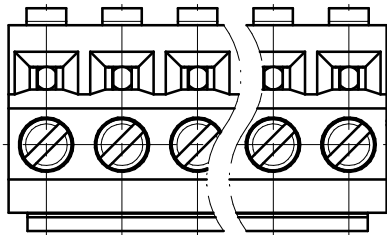


未注公差/General tolerances (mm)

0	>3	>6	>10	>18	>30	>50	>80	>120	>180	>250	>315	>400	>500	0.1/10 ±2'
~3	~6	~10	~18	~30	~50	~80	~120	~180	~250	~315	~400	~500		
±0.12	±0.18	±0.22	±0.26	±0.31	±0.37	±0.57	±0.80	±0.93	±1.05	±1.15	±1.60	±2.20	±2.50	



Note: The A&Z(H) in the name means: A(H) and Z(H).

ITEM	NAME OF PART	MATERIAL	NOTES
4	Screw	Steel	M3/Zn plated
3	Clamp	Copper alloy	Sn plated
2	Cage	Copper alloy	M3/Ni plated
1	Housing	PA66	UL94V-0

UL 标准/UL Standard:	B	C	D
额定电压/电流/Rated Voltage(V)/Current(A)	300/10	/	/
IEC 标准/IEC Standard:			
过压类别/Overtoltage Category/污染等级/Pollution Degree	III/3	III/2	II/2
额定电压/电流/Rated Voltage(V)/Current(A)	/	250/12	/
工频耐压(V/1Min)/Withstanding voltage(V/1Min)		AC2000	
螺丝扭矩/Torque Tightening(N·m/Lb.in)		M3, 0.5/4.43	
线径范围(硬线和软线)/Wire Range(rigid and flexible)(AWG)		28~14/2.5	
间距/Pitch(mm)/线数范围/Poles		5.0/N=02~20P	
剥线长度/Stripping length(mm)		5~6	
使用温度范围/Operating temperature(°C)		-40~+105	
符合RoHS环保要求/Conform to RoHS		Yes	

		MATERIAL:	SURFACE/COLOR:
APPD: David	2022. 12. 09	MAT NO./REV:	/ 00
CHKD: David	2022. 12. 09	NAME	DG331-5. 0-XXP-1Y-00A&Z (H)
DRFT: 曹心一	2022. 12. 09	DRAWING NO.	200022230
		TYPE	CUSTOMER DRAWING
		DRAWING STATUS	work
		SCALE	2:1
		SHEET	1/1

REV	ECN	DESCRIPTION	DRFT	DATE
00			曹心一	2022. 12. 09