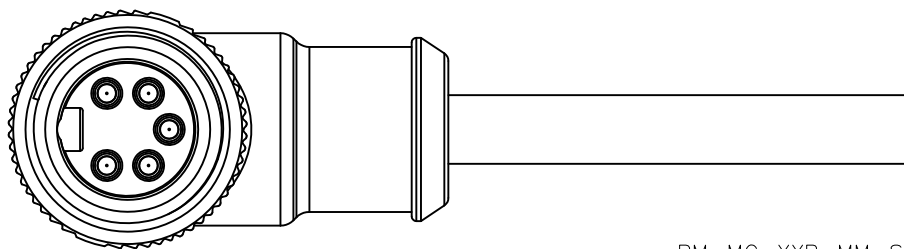
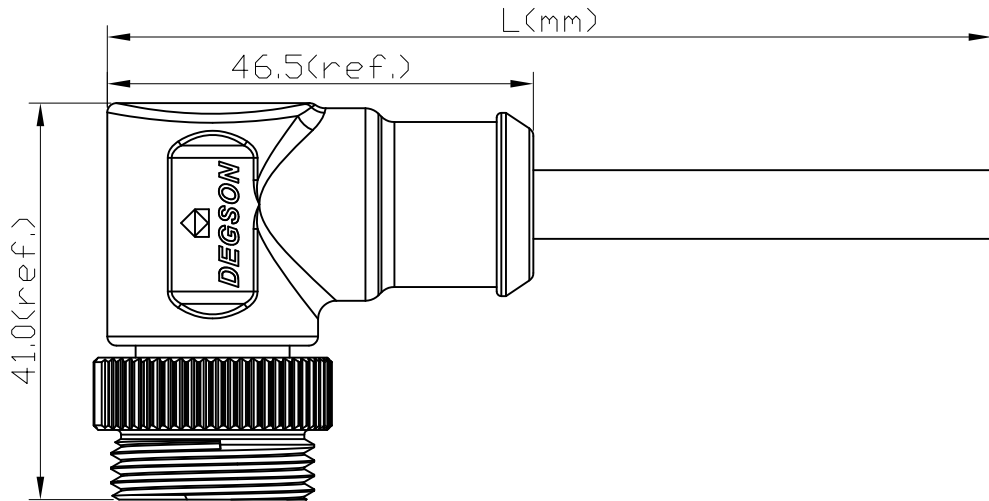


REVISION RECORD

REV	ECN	DESCRIPTION	DRFT	DATE
-----	-----	-------------	------	------



Conn1

PM-MC-~~XX~~P-MM-SR8~~XXX~~-00A(H)

Pin number: 03,04,  
05

Cable jacket:  
A: PVC UL2586;  
B: PUR UL20939

Cable length L:  
01: 1M  
...  
99: 99M  
The line grows business trip:  
01~05m: ± 50mm  
06~10m: ± 100mm  
11~30m: ± 200mm  
31~99m: ± 500mm

NOTES:

- Rated voltage/current : 5pin : 300V / 9A  
4pin : 300V / 13A  
3pin : 300V / 13A
- Withstanding voltage : 5pin: AC1600V/1Min  
4pin: AC1600V/1Min  
3pin: AC1600V/1Min
- Levels of protection: IP68
- Cable specifications :  
5pin: 5C\*16AWG, UL2586/UL20939  
4pin: 4C\*16AWG, UL2586/UL20939  
3pin: 3C\*16AWG, UL2586/UL20939
- Wire connection mode: soldering
- Operating temperature: PVC Cable: -25°C~+85°C  
PUR Cable: -25°C~+80°C
- RoHS Compliance
- Tolerance : ±0.5mm

5pin		4pin		3pin	
Pin Assignments Front View		Pin Assignments Front View		Pin Assignments Front View	
5	White	4	White		
4	Brown	3	Brown	3	Blue
PE	Green/yellow	2	Blue	2	Brown
1	Black	1	Black	PE	Green/yellow
Pin	Wire Color	Pin	Wire Color	Pin	Wire Color
Pin Out		Pin Out		Pin Out	

8

7

6

5

4

3

2

1

DETACHED LISTS	PART NO.: /	宁波高松电子有限公司 NINGBO DEGSON ELECTRICAL CO., LTD		
	APPD:	NAME: PM-MC-XXP-MM-SR8XXX-00A(H)		
	CHKD:	TITLE: CUSTOMER DRAWING		
	DRFT: YJH 2020.07.27	REV: DO-1	SHEET: 1/1	SCALE: 1:1
THIRD ANGLE PROJECTION		MM (INCH)	DO NOT SCALE DRAWING	SCALE: 1:1

THIRD ANGLE PROJECTION

DRAWING NO.: XXXXXXXX-XX-CXX

MM (INCH)

DO NOT SCALE DRAWING

SCALE: 1:1