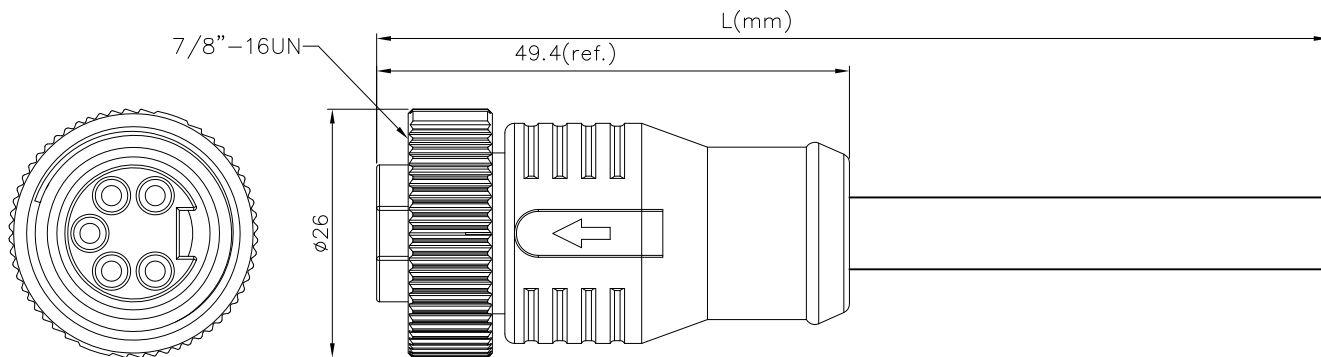


REVISION RECORD

REV	ECN	DESCRIPTION	DRFT	DATE
-----	-----	-------------	------	------



NOTES:

- Rated voltage/current : 5pin : 300V / 9A  
4pin : 300V / 13A  
3pin : 300V / 13A
- Withstanding voltage : 5pin: AC1600V/1Min  
4pin: AC1600V/1Min  
3pin: AC1600V/1Min
- Levels of protection: IP68
- Cable specifications :  
5pin: 5C\*16AWG,UL2586/UL20939  
4pin: 4C\*16AWG,UL2586/UL20939  
3pin: 3C\*16AWG,UL2586/UL20939
- Wire connection mode: soldering
- Operating temperature: PVC Cable: -25°C~+85°C  
PUR Cable: -25°C~+80°C
- RoHS Compliance
- Tolerance : ±0.5mm

PMSH-MC-XXP-FF-SL8XXX-00A(H)

Pin number: 03,04,  
05

Cable length L:

- 01: 1M
- ...
- 99: 99M
- The line grows business trip:
- 01~05m: ± 50mm
- 06~10m: ± 100mm
- 11~30m: ± 200mm
- 31~99m: ± 500mm

Cable jacket:  
A: PVC UL2586;  
B: PUR UL20939

5pin		4pin		3pin	
Pin Assignments Front View		Pin Assignments Front View		Pin Assignments Front View	
Shielded	Braid	Shielded	Braid	Shielded	Braid
5	White	4	White	3	Blue
4	Brown	3	Brown	2	Brown
PE	Green/yellow	2	Blue	PE	Green/yellow
2	Blue	1	Black		
1	Black				
Pin	Wire Color	Pin	Wire Color	Pin	Wire Color
Pin Out		Pin Out		Pin Out	

DETACHED LISTS	PART NO.: /	宁波高松电子有限公司 NINGBO DEGSON ELECTRICAL CO., LTD		
	APPD:	NAME: PMSH-MC-XXP-FF-SL8XXX-00A(H)		
	CHKD:	TITLE: CUSTOMER DRAWING		
	DRFT: YJH 2020.07.27	REV: D0-1	SHEET: 1/1	
		DRAWING NO.: XXXXXXXX-XX-CXX		SCALE: 1:1
THIRD ANGLE PROJECTION		DO NOT SCALE DRAWING		