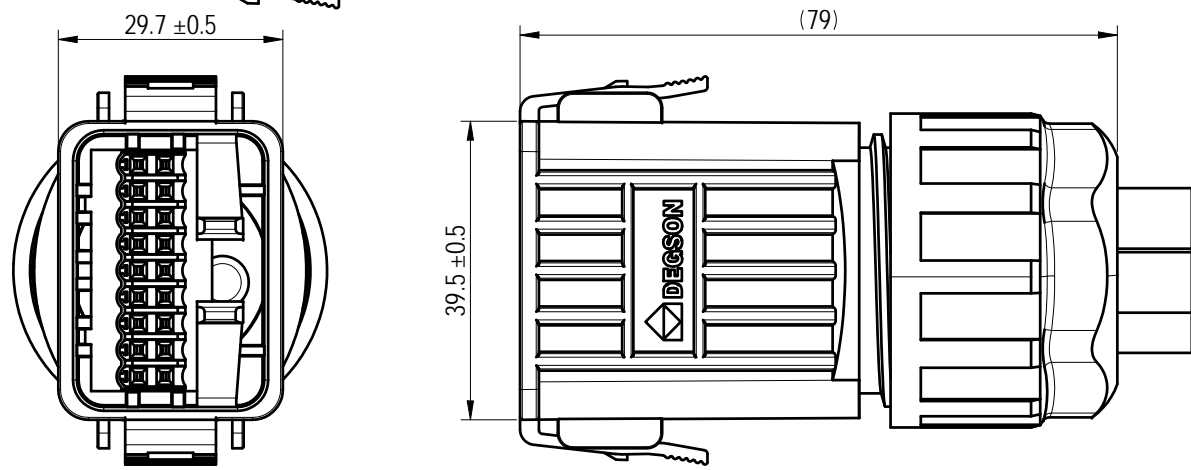
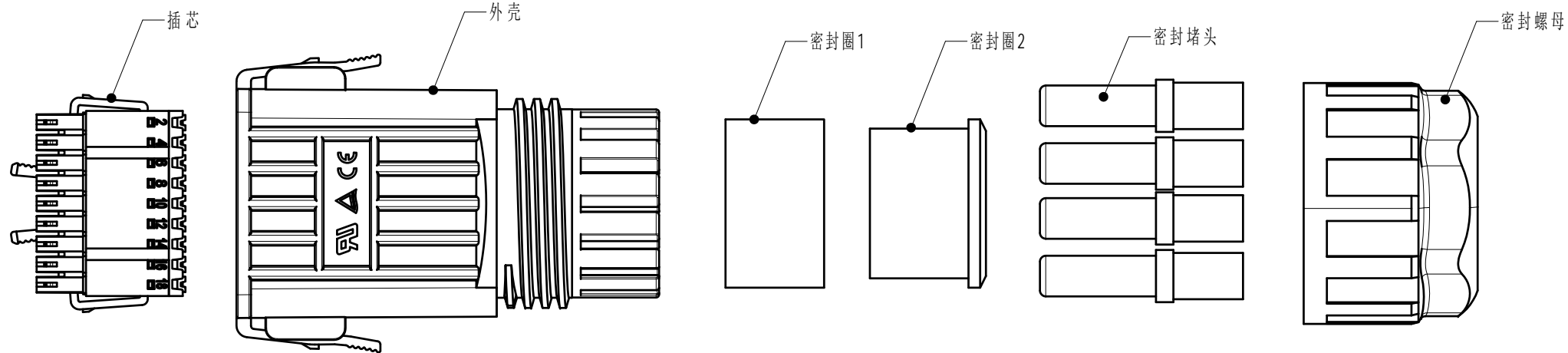


Transfer or duplication of this document as well as the utilization or communication of its contents are prohibited unless explicitly permitted. Violations will be held for compensation. All rights reserved for patent, utility model or design registrations. 除专利权明确授权，否则禁止译法、复制、引用、交流本文件内容。未经许可擅自复制或发布，公司将保留追究法律责任的所有权利。

Dimensional tolerances(mm)					Length tolerances(mm)				0.1/10 ±2°
0	>30	>60	>100	>150	0	>5000	>10000	>30000	
-	-	-	-	-	-	-	-	-	
±0.25	±0.35	±0.55	±0.80	±1.10	±55	±105	±205	±505	

UL 额定电压电流/Rated Voltage/Current	250V/1.5A
插拔次数/Mechanical working life(mating cycles)	30
线径范围/Wire Range(AWG)	28~16
剥线长度/Stripping length(mm)	11~13
Cable 线径 OD(mm)	5.5~6.9
扭矩(N.m)	2.5~3.5
防水等级/Levels of protection	IP67(Mating)
使用温度范围/Operating temperature(°C)	-40~+85
符合 RoHS 环保要求/Conform to RoHS	YES



		MATERIAL:	SURFACE/COLOR:		
		MAT NO./REV: 29020000005-1 / 00.01	MAT STATUS: 小批量		
APPD:		NAME			
CHKD:		PV-ST-MF-PSC-18P-00Z(H)			
DRFT:		DRAWING NO. 200280159	TYPE CUSTOMER DRAWING	DRAWING STATUS work	SHEET 1/1

REV	ECN	DESCRIPTION	DRFT	DATE
00				

A  
B  
C  
D