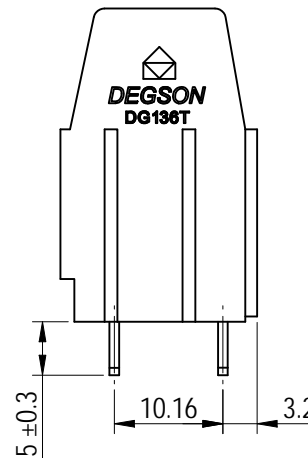
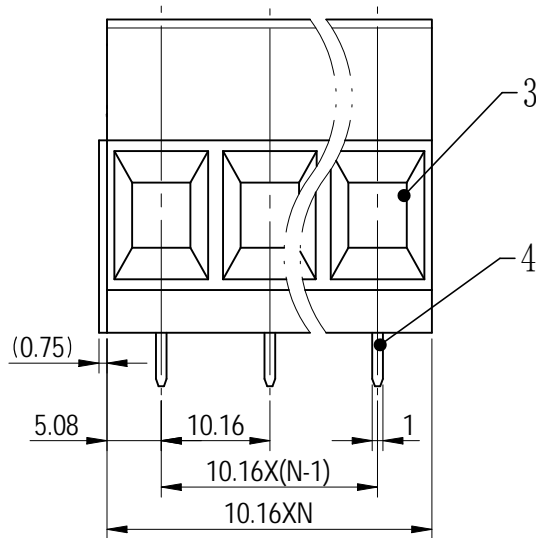
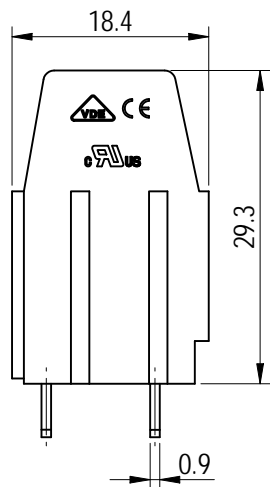
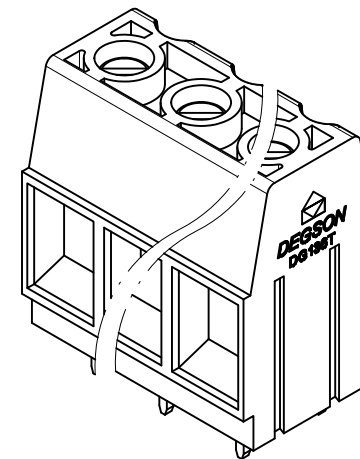
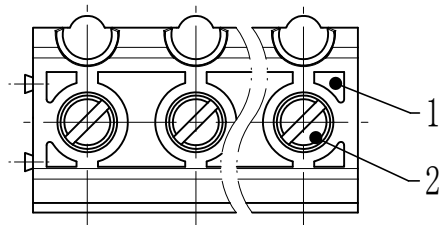
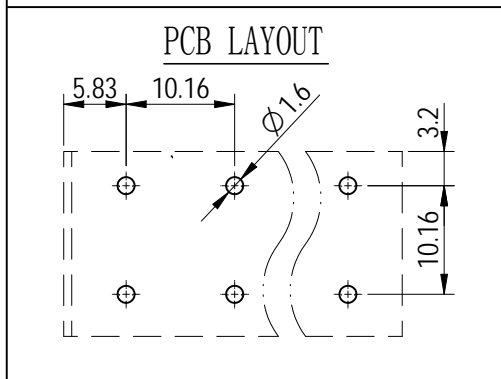


公差/General tolerances (mm)													D 0.1/10
0	>3	>6	>10	>18	>30	>50	>80	>120	>180	>250	>315	>400	
~ 3	~ 6	~ 10	~ 18	~ 30	~ 50	~ 80	~ 120	~ 180	~ 250	~ 315	~ 400	~ 500	~ 2
±0.12	±0.18	±0.22	±0.26	±0.31	±0.37	±0.57	±0.80	±0.93	±1.05	±1.15	±1.60	±2.20	±2.50



Note:  
The A&Z(H) in the name means: A(H) and Z(H).

ITEM	NAME OF PART	MATERIAL	NOTES
4	Pin header	Copper	Sn Plated
3	Cage	Copper alloy	M4/Ni Plated
2	Screw	Copper alloy	M4/Ni Plated
1	Housing	PA66	UL94V-0



UL 标准/UL Standard:	B	C	D
额定电压/电流/Rated Voltage(V)/Current(A)	300/60	300/60	/
IEC 标准/IEC Standard:			
过压类别/Overvoltage Category/污染等级/Pollution Degree	III/2		
额定电压/电流/Rated Voltage(V)/Current(A)	1000/65		
工频耐压/Withstanding voltage(V/1Min)	AC3500		
螺丝扭矩/Torque Tightening(N·m/Lb.in)	M4: 1.2/10.53		
线径范围(硬线和软线)/Wire Range(rigid and flexible)(AWG/mm²)	20-6 / 2.5-16		
间距/Pitch(mm)/线数范围/Poles	10.16/N=02-12P		
剥线长度/Stripping length(mm)	10-11		
使用温度范围/Operating temperature(°C)	-40~+105		
符合RoHS环保要求/Conform to RoHS	Yes		



MATERIAL:	SURFACE/COLOR:
MAT NO./REV: / 00	MAT STATUS: 批量

APPD: 兰春华	2022.08.11	NAME	DG136T-10.16-XXP-1Y-00A&Z(H)		
CHKD: 陈超	2022.08.10	DRAWING NO.	200031792	TYPE	CUSTOMER DRAWING
DRFT: 黄徐涛	2022.08.10	DRAWING STATUS	已发布	SCALE	2:1
REV	ECN	DESCRIPTION	DRFT	DATE	SHEET
00				2022.08.10	1/1

00			黄徐涛	2022.08.10	
REV	ECN	DESCRIPTION	DRFT	DATE	SHEET
					1/1

Transfer or duplication of this document as well as the utilization of its contents without the written consent of DEGSON is prohibited. All rights reserved for patent.