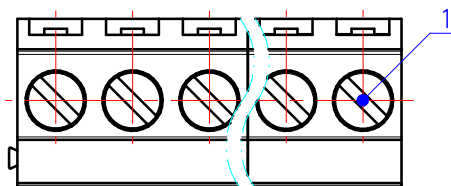
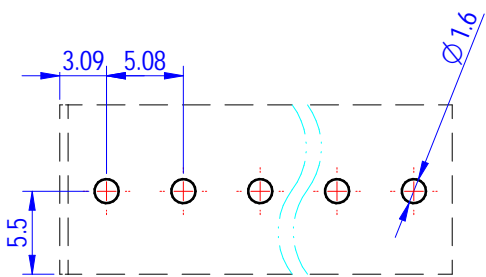
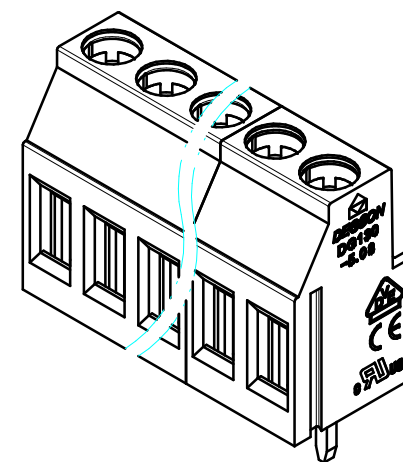
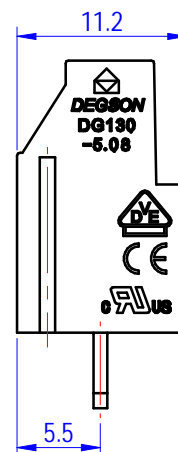
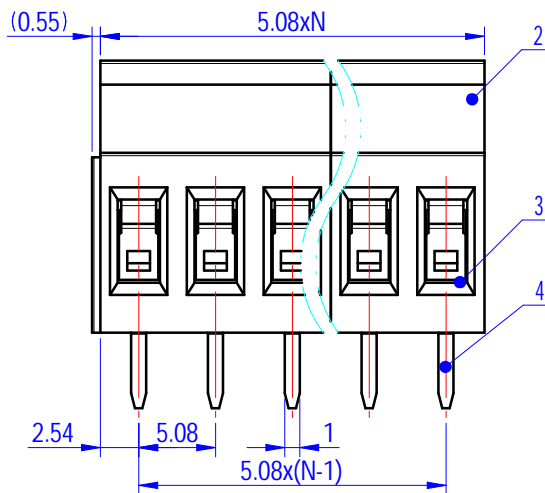
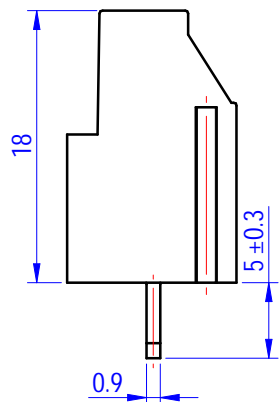


PCB LAYOUT



未注公差/General tolerances (mm)													0.1/10
0	>3	>6	>10	>18	>30	>50	>80	>120	>180	>250	>315	>400	
~3	~6	~10	~18	~30	~50	~80	~120	~180	~250	~315	~400	~500	~500
±0.12	±0.18	±0.22	±0.26	±0.31	±0.37	±0.57	±0.80	±0.93	±1.05	±1.15	±1.60	±2.20	±2.50

UL 标准/UL Standard:	B	C	D
额定电压/电流/Rated Voltage(V)/Current(A)	300/20	/	300/10
IEC 标准/IEC Standard:			
过压类别/Overvoltage Category/污染等级/Pollution Degree	III/3	III/2	II/2
额定电压/电流/Rated Voltage(V)/Current(A)	/	250/20	/
工频耐压/Withstanding voltage(V 1Mn)	AC2000		
螺丝扭矩/Torque Tightening(N·m/Lb.in)	M3, 0.5/4.43		
线径范围(硬线和软线)/Wire Range(rigid and flexible)(AWG mm <sup>2</sup> )	26~12/0.5~2.5		
间距/Pitch(mm)/线数范围/Poles	5.08/N= 02~24P		
剥线长度/Stripping length (mm)	8~9		
使用温度范围/Operating temperature(°C)	-40~+105		
符合RoHS环保要求/Conform to RoHS	Yes		



ITEM	NAME OF PART	MATERIAL	NOTES
4	Pin header	Copper Alloy	Sn plated
3	Cage	Copper Alloy	M3/Ni Plated
2	Housing	PA66	UL94V-0
1	Screw	Steel	M3/Zn Plated

		MATERIAL:	SURFACE/COLOR:		
APPD: 兰春华 2024.09.10 CHKD: 陈招 2024.09.10 DRFT: 唐本恒 2024.09.10		MAT NO./REV:	/ 00		
		NAME	DG130-5.08-XXP-1Y-00A&Z(H)		
DRAWING NO.	TYPE	DRAWING STATUS	SCALE	SHEET	
200099814	CUSTOMER DRAWING	已发布	2:1	1/2	

REV	ECN	DESCRIPTION	DRFT	DATE	比例
01		1x 增加IEC60947标准图面	唐本恒	2024.09.10	A4

Transfer or duplication of this document as well as the utilization or communication of its contents are prohibited unless authorized in general. Weights reserved for patent. 除专利申明情况外，未经许可不得复制或传播。本公司保留所有权利。