

未注公差/General tolerances (mm)											D 0.1/10		
0	>3	>6	>10	>18	>30	>50	>80	>120	>180	>250		>315	>400
~ 3	~ 6	~ 10	~ 18	~ 30	~ 50	~ 80	~ 120	~ 180	~ 250	~ 315	~ 400	~ 500	~ >500
±0.12	±0.18	±0.22	±0.26	±0.31	±0.37	±0.57	±0.80	±0.93	±1.05	±1.15	±1.60	±2.20	±2.50

(W/O COVER VIEW)

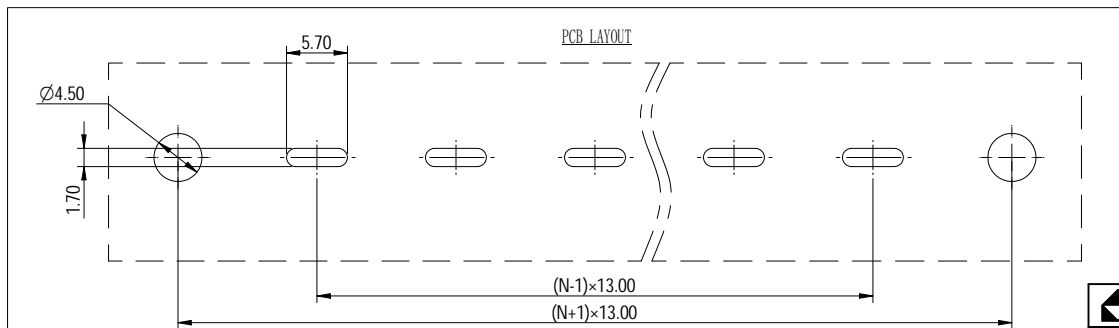
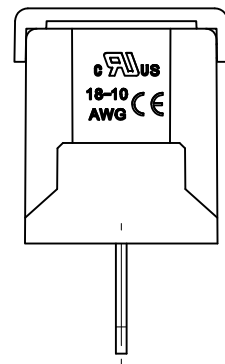
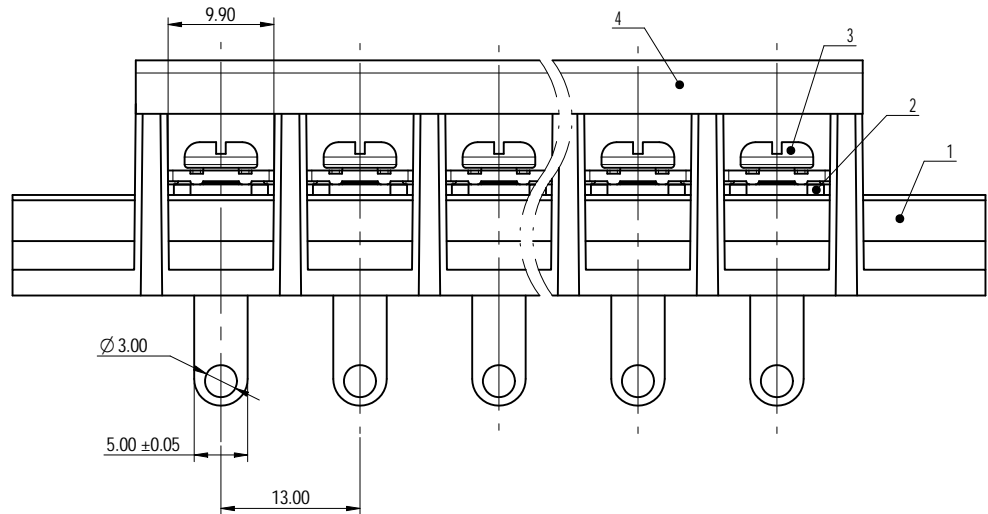
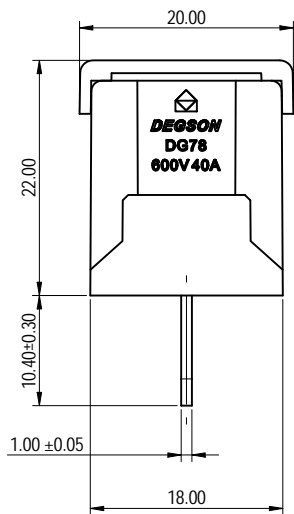
(N+2)×13.00

(N+1)×13.00

(N-1)×13.00

2×Ø4.50(通孔)

2×Ø8.00(孔深5.20)



Note: The A&Z (H) in the name means: A(H) and Z(H).

ITEM	NAME OF PART	MATERIAL	NOTES
4	Cover	PC	UL94V-2
3	Screw	Steel	Ni Plated
2	Pin header	Copper alloy	Sn Plated
1	Housing	PA66+25%GF	UL94V-0

UL 标准/UL Standard:	B	C	D
额定电压/电流/Rated Voltage(V)/Current(A)	600/40	/	600/10
螺丝扭矩/Torque Tightening(N·m/Lb·in)	M4: 1.2/10.63		
线径范围(硬线和软线)/Wire Range(rigid and flexible)(AWG)	18~10		
间距/Pitch(mm)/线数范围/Poles	13.00/N=02~18P		
使用温度范围/Operating temperature(°C)	-30~+120		
符合RoHS环保要求/Conform to RoHS	Yes		

DEGSON MATERIAL: SURFACE/COLOR: MAT NO./REV: - / 00 MAT STATUS: 批量

APPD: 蓝美凡 2023.07.06 NAME: DEG78H-A-XXP-1Y-00A&Z(H)

CHKD: 曹利影 2023.07.06

DRFT: 姜民洁 2023.07.06

DRAWING NO. 200201286 TYPE CUSTOMER DRAWING DRAWING STATUS 已发布 SCALE 1:1 SHEET 1/1

REV	ECN	DESCRIPTION	DRFT	DATE
00				

Transfer or duplication of this document as well as the utilization or reproduction of its contents without the written permission of Degson Electronics Co., Ltd. is prohibited. All rights reserved for patent. 复制或再行发布此文件以及未经许可擅自使用或复制其内容均属于侵权行为。Degson Electronics Co., Ltd. 保留所有权利。未经许可擅自使用或复制其内容均属于侵权行为。