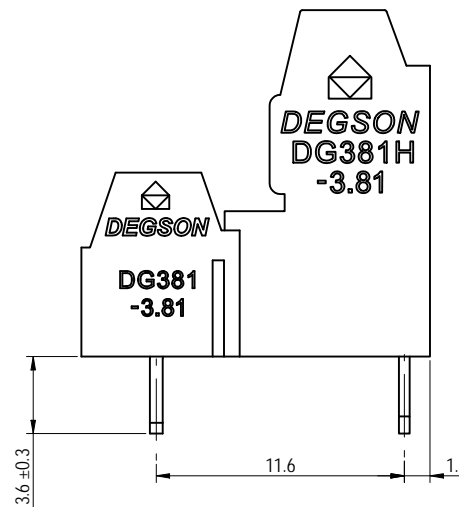
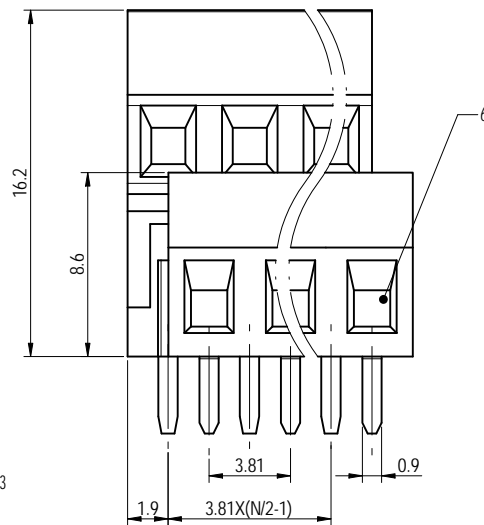
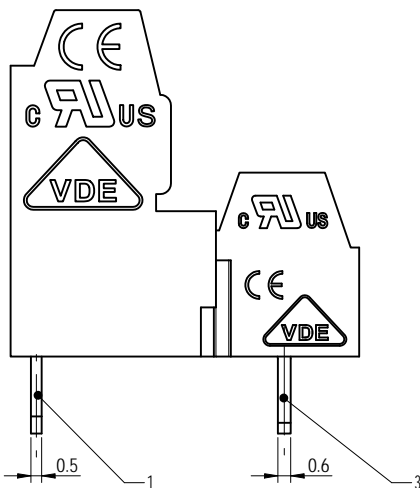
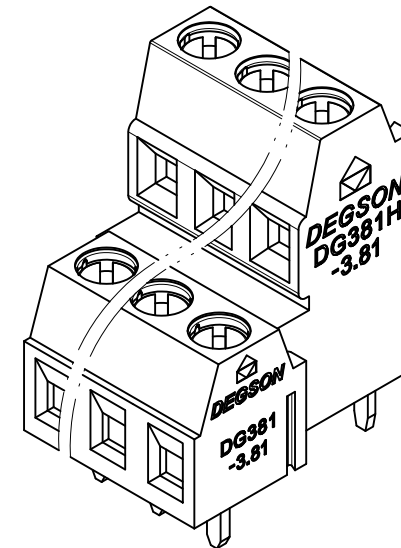
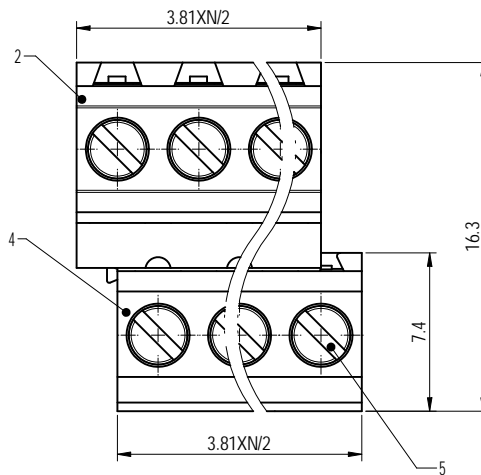
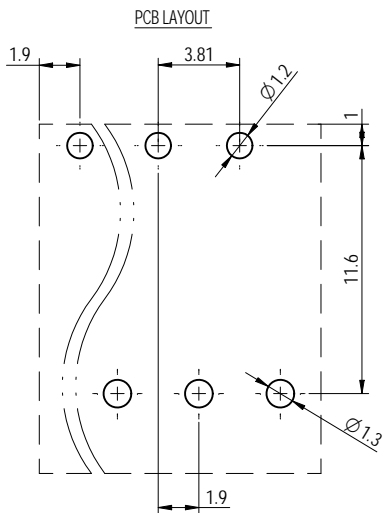


公差/General tolerances (mm)													$\frac{D}{\phi}$	
0	>3	>6	>10	>18	>30	>50	>80	>120	>180	>250	>315	>400	>500	0.1/10
~	3	6	10	18	30	50	80	120	180	250	315	400	500	
± 0.12	± 0.18	± 0.22	± 0.26	± 0.31	± 0.37	± 0.57	± 0.80	± 0.93	± 1.05	± 1.15	± 1.60	± 2.20	± 2.50	± 2



Note:
The A&Z(H) in the name means: A(H) and Z(H).

ITEM	NAME OF PART	MATERIAL	NOTES
6	Cage	Copper alloy	M2/Ni plated
5	Screw	steel	M2/Zn plated
4	Housing2	PA66	UL94V-0
3	Pin header2	Copper alloy	Sn plated
2	Housing1	PA66	UL94V-0
1	Pin header1	Copper alloy	Sn plated

UL 标准/UL Standard:	B	C	D
额定电压/电流/Rated Voltage(V)/Current(A)	300/12	/	300/10
IEC 标准/IEC Standard:	III/3	III/2	II/2
过压类别/Ovenvoltage Category/污染等级/Pollution Degree	III/3	III/2	II/2
额定电压/电流/Rated Voltage(V)/Current(A)	/	130/10	/
工频耐压/Withstanding Voltage(V/1Min)	AC1250		
螺丝扭矩/Torque Tightening(N·m/Lb.in)	M2: 0.2/1.77		
线径范围(硬线和软线)/Wire Range(rigid and flexible)(AWG/mm²)	26~16 / 0.2~1.0		
间距/Pitch(mm)/线数范围/Poles	3.81/N=04~48P		
剥线长度/Stripping length(mm)	5~6		
使用温度范围/Operating temperature(°C)	-40~+105		
符合RoHS环保要求/Conform to RoHS	Yes		

DEGSON MATERIAL: SURFACE/COLOR: MAT NO./REV: / 00 MAT STATUS: 批量

NAME: **DC381A-3.81-XXP-1Y-00A&Z(H)**

APPD: 兰春华	2022.11.21	NAME	DRAWING NO.	TYPE	DRAWING STATUS	SCALE	SHEET
CHKD: 陈超	2022.11.21		200029189	CUSTOMER DRAWING	已发布	1:1	1/1
DRFT: 黄徐涛	2022.11.21						

REV	ECN	DESCRIPTION	DRFT	DATE
00				2022.11.21

Transfer or duplication of this document as well as the utilization of its contents without the written permission of DEGSON is prohibited. All rights reserved for patent. 复制或再发布此文件以及其内容的使用，未经 DEGSON 书面许可，是严格禁止的。保留所有权利，侵权必究。