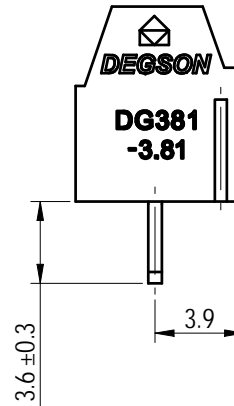
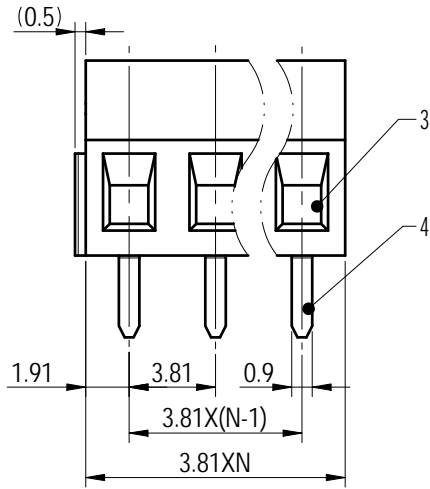
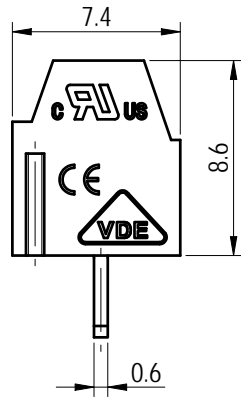
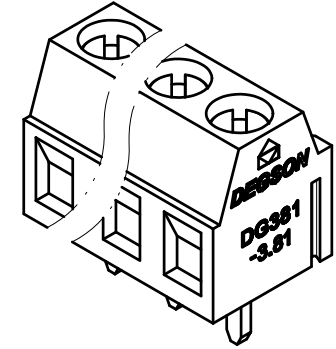
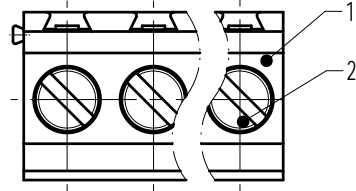


公差/General tolerances (mm)													0.1/10	
0	>3	>6	>10	>18	>30	>50	>80	>120	>180	>250	>315	>400		>500
±0.12	±0.18	±0.22	±0.26	±0.31	±0.37	±0.57	±0.80	±0.93	±1.05	±1.15	±1.60	±2.20	±2.50	±2'

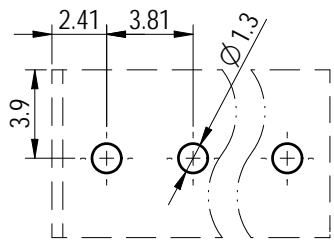


Note:
The A&Z(H) in the name means: A(H) and Z(H).

ITEM	NAME OF PART	MATERIAL	NOTES
4	Pin header	Copper alloy	Sn Plated
3	Cage	Copper alloy	M2/Ni Plated
2	Screw	Steel	M2/Zn Plated
1	Housing	PA66	UL94V-0

UL 标准/UL Standard:	B	C	D
额定电压/电流/Rated Voltage(V)/Current(A)	300/10	/	/
IEC 标准/IEC Standard:			
过压类别/Overvoltage Category/污染等级/Pollution Degree	III/3	III/2	II/2
额定电压/电流/Rated Voltage(V)/Current(A)	/	130/10	/
工频耐压/Withstanding voltage (V/1Min)	/	AC1250	/
螺丝扭矩/Torque Tightening(N·m/Lb.in)	M2: 0.2/1.77		
线径范围(硬线和软线)/Wire Range(rigid and flexible)(AWG/mm²)	26~16 / 0.5~1.0		
间距/Pitch(mm)/线数范围/Poles	3.81/N=02~24P		
剥线长度/Stripping length(mm)	5~6		
使用温度范围/Operating temperature(°C)	-40~+105		
符合RoHS环保要求/Conform to RoHS	Yes		

PCB LAYOUT



DEGSON

MATERIAL: SURFACE/COLOR:
MAT NO./REV: / 00 MAT STATUS: 批量

APPD: 兰春华 2022.08.18
CHKD: 陈招 2022.08.18
DRFT: 龚徐涛 2022.08.18

NAME
DG381-3.81-XXP-1Y-00A&Z(H)

DRAWING NO. 200103675 TYPE CUSTOMER DRAWING DRAWING STATUS 已发布 SCALE 3:1 SHEET 1/1

REV	ECN	DESCRIPTION	DRFT	DATE
00			龚徐涛	2022.08.18

Transfer or duplication of this document as well as the utilization or communication of its contents are prohibited unless authorized in writing. All rights reserved for patent, utility model or design registrations. 除专利、实用新型、外观设计、发明专利、软件著作权、集成电路布图设计专有权、商业秘密和未公开信息的所有权外，其他权利均归本公司所有。