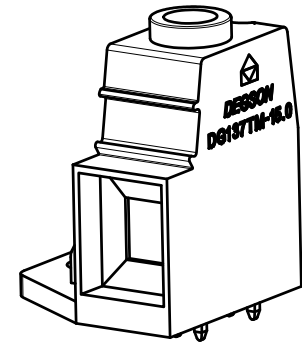
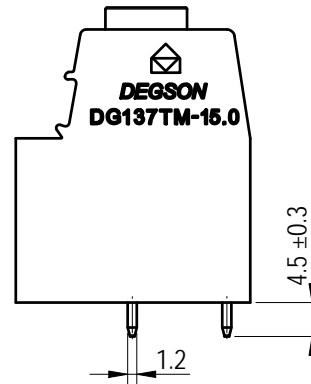
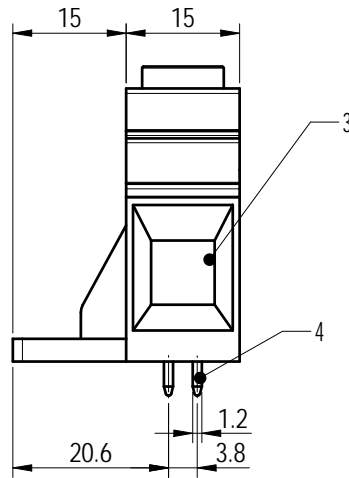
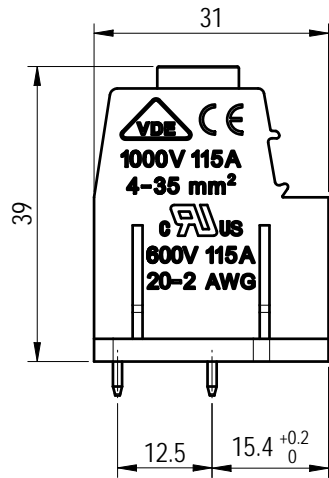
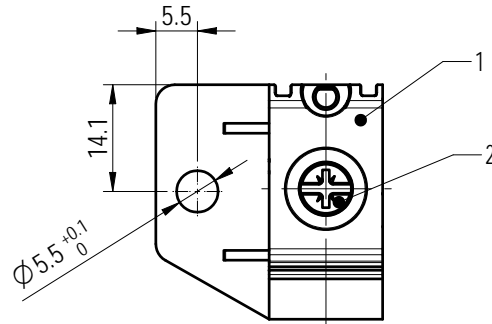
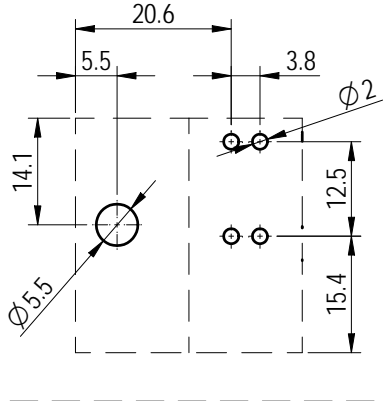


PCB LAYOUT



公差/General tolerances (mm)													0.1/10
0	>3	>6	>10	>18	>30	>50	>80	>120	>180	>250	>315	>400	
~3	~6	~10	~18	~30	~50	~80	~120	~180	~250	~315	~400	~500	
±0.12	±0.18	±0.22	±0.26	±0.31	±0.37	±0.57	±0.80	±0.93	±1.05	±1.15	±1.60	±2.20	
												±2.50	

Note:  
The A&Z(H) in the name means: A(H) and Z(H).

ITEM	NAME OF PART	MATERIAL	NOTES
4	Pin header	Copper	Sn plated
3	Cage	Steel	M5/Zn plated
2	Screw	Steel	M5/Zn plated
1	Housing	PA66	UL94V-0

UL 标准/UL Standard:	B	C	D
额定电压/电流/Rated Voltage(V)/Current(A)	600/115	600/115	/
IEC 标准/IEC Standard:			
过压类别/Overvoltage Category/污染等级/Pollution Degree	III/3	III/2	II/2
额定电压/电流/Rated Voltage(V)/Current(A)	/	1000/115	/
工频耐压/Withstanding voltage(V/1Min)	/	AC3000	/
螺丝扭矩/Torque Tightening(N·m/Lb.in)	M5, 2.0/17.54		
线径范围(硬线和软线)/Wire Range(rigid and flexible)(AWG/mm²)	20~2 / 4~35		
剥线长度/Stripping length(mm)	18~19		
使用温度范围/Operating temperature(°C)	-40~+105		
符合RoHS环保要求/Conform to RoHS	Yes		

APPD: 兰春华	2022.09.26
CHKD: 陈招	2022.09.26
DRFT: 龚徐涛	2022.09.26

MATERIAL:	SURFACE/COLOR:		
MAT NO./REV:	/ 00	MAT STATUS: 批量	
NAME			
DG137TM-15.0-01P-1Y-10A&Z(H)			
DRAWING NO.	TYPE	DRAWING STATUS	SCALE
200029082	CUSTOMER DRAWING	已发布	1:1
		SHEET	1/1

REV	ECN	DESCRIPTION	DRFT	DATE
00			龚徐涛	2022.09.26

Transfer or duplication of this document as well as the utilization or communication of its contents are prohibited unless authorized in writing by the copyright owner. All rights reserved for patent. 除专利等明确标注外，其他内容均受法律保护。未经许可，不得复制或传播。如有侵权，必究。