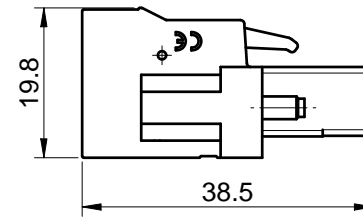
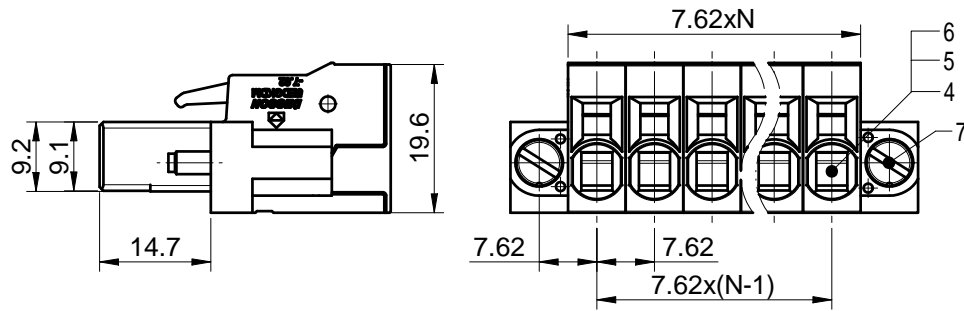
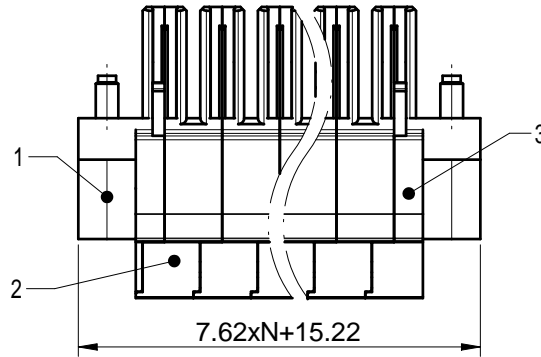
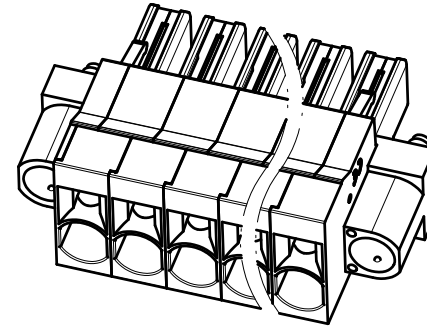


未注公差/General tolerances (mm)													0.1/10
0 ~ 3	>3 ~ 6	>6 ~ 10	>10 ~ 18	>18 ~ 30	>30 ~ 50	>50 ~ 80	>80 ~ 120	>120 ~ 180	>180 ~ 250	>250 ~ 315	>315 ~ 400	>400 ~ 500	
±0.12	±0.18	±0.22	±0.26	±0.31	±0.37	±0.57	±0.80	±0.93	±1.05	±1.15	±1.60	±2.20	±2.50



ITEM	NAME OF PART	MATERIAL	NOTES
7	Screw	Steel	M3/Zn plated
6	Shrapnel	Stainless steel	/
5	Spring	Stainless steel	/
4	Clamp	Copper	Sn Plated
3	Right-housing	PA66	UL94V-0
2	Middle-housing	PA66	UL94V-0
1	Left-housing	PA66	UL94V-0

UL 标准/UL Standard:	B	C	D
额定电压/电流/Rated Voltage(V)/Current(A)	600/35	600/35	/
IEC 标准/IEC Standard:			
过压类别/Ov ervoltage Category /污染等级 /Pollution Degree	III/3	III/2	II/2
额定电压/电流/Rated Voltage(V)/Current(A)	1000/41	1000/41	1000/41
额定脉冲电压(KV)/Rate Impulse Voltage(KV)	8	8	6
线径范围(硬线和软线)/Wire Range(rigid and flexible)(AWG/mm ²)	24-8 / 0.2-10		
间距/Pitch(mm)/线数范围/Poles	7.62/N=02-12P		
剥线长度/Stripping length(mm)	14-15		
使用温度范围/Operating temperature(°C)	-40~+105		
符合RoHS环保要求/Conform to RoHS	Yes		

		MATERIAL:	SURFACE/COLOR:	
		MAT NO./REV:	MAT STATUS: 批量	
APPD: 兰春华	2024.09.19	NAME		
CHKD: 龚耀志	2024.09.14	5EDGKDM-7.62-XXP-1Y-00Z(H)		
DRPT: 朱岳鹏	2024.09.14	DRAWING NO.	TYPE	DRAWING STATUS
REV	ECN	DESCRIPTION	SCALE	SHEET
01		朱岳鹏	200049938	1:1
		朱岳鹏	CUSTOMER DRAWING	1/1

Transfer or duplication of this document, as well as the utilization or communication of its contents, are prohibited unless explicit authorization is granted. All rights reserved for patent, utility model or design registrations. 非经明确授权, 否则禁止转让、复制、利用、交流本文档的内容, 侵犯者将承担赔偿责任。本公司保留对涉及发明、实用新型和外观设计的所有权利。