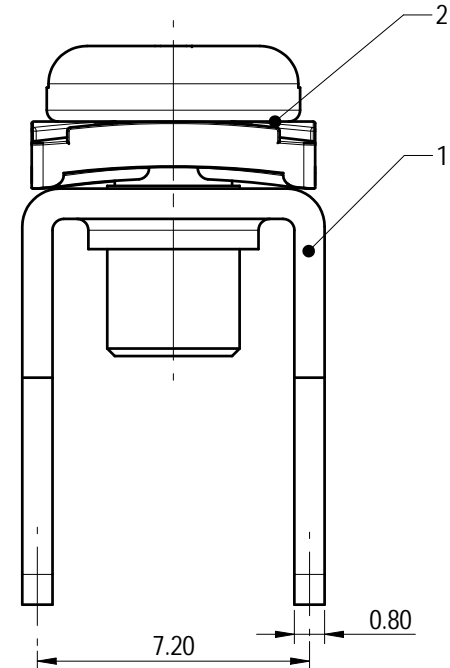
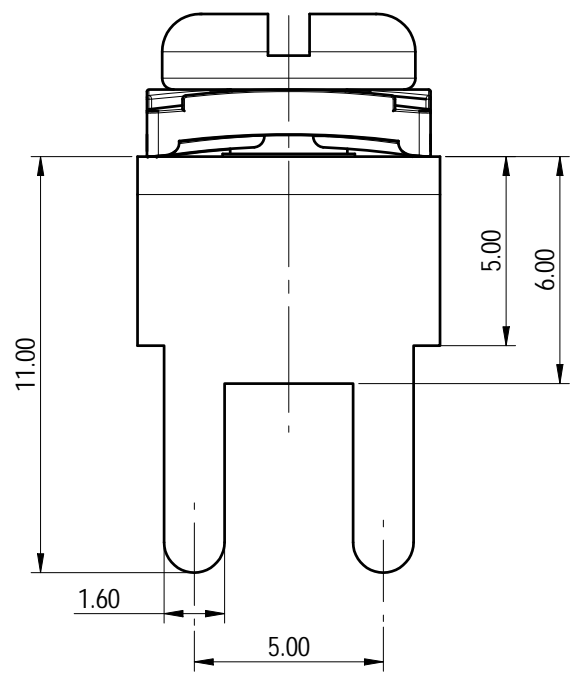
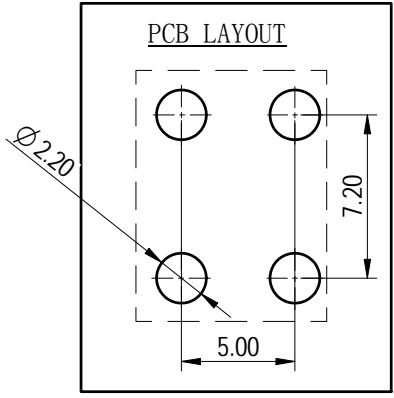
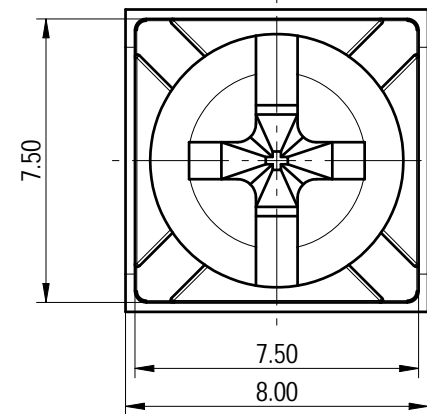


Transfer or duplication of this document as well as the utilization or communication of its content are prohibited unless authorized in writing by Degson. All rights reserved for patent, utility model or design registrations. 除专利等明确标注外，其他标注均归德松公司所有。未经许可，不得复制或传播。 Degson 保留所有权利。

未注公差/General tolerances (mm)													0.1/10
0	>3	>6	>10	>18	>30	>50	>80	>120	>180	>250	>315	>400	
~3	~6	~10	~18	~30	~50	~80	~120	~180	~250	~315	~400	~500	>500
±0.12	±0.18	±0.22	±0.26	±0.31	±0.37	±0.57	±0.80	±0.93	±1.05	±1.15	±1.60	±2.20	±2.50



Note: The A&Z(H) in the name means: A(H) and Z(H).

ITEM	NAME OF PART	MATERIAL	NOTES
2	Screw	Steel	Ni Plated
1	Pin header	Brass	Sn Plated

额定电流/Rated Current(A)	15A
螺丝扭矩/Torque Tightening(N·m/Lb.in)	M3.5, 0.8/7.02
符合RoHS环保要求/Conform to RoHS	Yes

		MATERIAL:	SURFACE/COLOR:	
		MAT NO./REV: 1090000013-1 / 00	MAT STATUS: 批量	
APPD: 蓝贵凡	2022.11.16	NAME		
CHKD: 曹利彬	2022.11.16	K14-00A&Z(H)		
DRFT: 姜民浩	2022.11.16			
DRAWING NO.	TYPE	DRAWING STATUS	SCALE	SHEET
200120088	CUSTOMER DRAWING	已发布	5:1	1/1

REV	ECN	DESCRIPTION	DRFT	DATE
00				