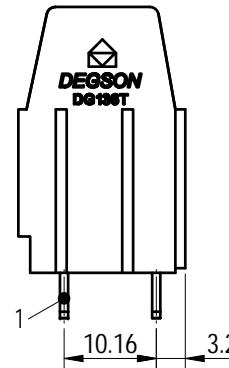
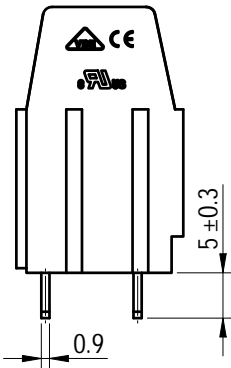
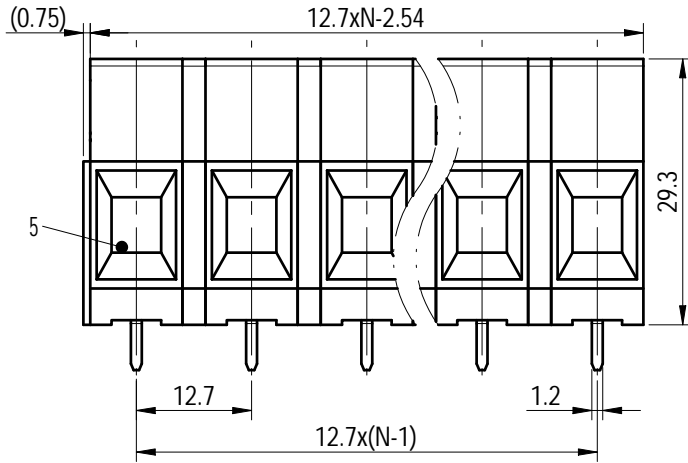
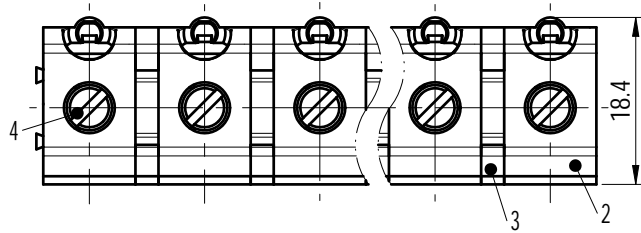
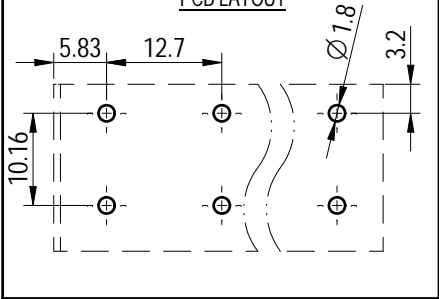
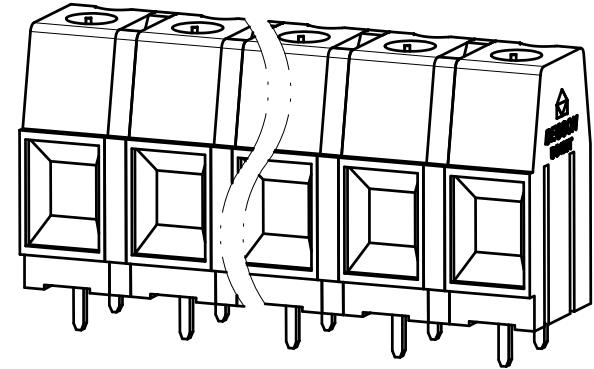


PCB LAYOUT



未注公差/General tolerances (mm)													0.1/10
0	>3	>6	>10	>18	>30	>50	>80	>120	>180	>250	>315	>400	
~3	~6	~10	~18	~30	~50	~80	~120	~180	~250	~315	~400	~500	±2'
±0.12	±0.18	±0.22	±0.26	±0.31	±0.37	±0.57	±0.80	±0.93	±1.05	±1.15	±1.60	±2.20	



Note: The A&Z(H) in the name means: A(H) and Z(H).

ITEM	NAME OF PART	MATERIAL	NOTES
5	Cage	Copper alloy	M4/Ni Plated
4	Screw	Copper alloy	M4/Ni Plated
3	Clapboard	PA66	UL94V-0
2	Housing	PA66	UL94V-0
1	Pin header	Copper	Sn Plated

UL 标准/UL Standard:	B	C	D
额定电压/电压/Rated Voltage(V)/Current(A)	600/60	600/60	/
IEC 标准/IEC Standard:			
过压类别/Overvoltage Category/污染等级/Pollution Degree	III/3	III/2	II/2
额定电压/电压/Rated Voltage(V)/Current(A)	/	1000/65	/
工频耐压/Withstanding voltage(V/1Min)	AC3500		
螺丝扭矩/Torque Tightening(N·m/Lb.in)	M4, 1.2/10.53		
线径范围(硬线和软线)/Wire Range(rigid and flexible)(AWG/mm²)	20~6 / 2.5~16		
间距/Pitch(mm)/线数范围/Poles	12.7/N=02~10P		
剥线长度/Stripping length(mm)	10~11		
使用温度范围/Operating temperature(°C)	-40~+105		
符合RoHS环保要求/Conform to RoHS	Yes		

**DEGSON**

MATERIAL: - SURFACE/COLOR:

MAT NO./REV: - / 00 MAT STATUS: 批量

APPD: 兰春华 2022.09.05 NAME

CHKD: 陈招 2022.09.05

DRFT: 袁路易 2022.09.05

DG136T-12.7-XXP-1Y-00A&Z(H)

REV	ECN	DESCRIPTION	DRFT	DATE	DRAWING NO.	TYPE	DRAWING STATUS	SCALE	SHEET
00			袁路易	2022.09.05	200022097	CUSTOMER DRAWING	已发布	1.2:1	1/1

Transfer or duplication of this document as well as the utilization or communication of its contents are prohibited unless authorized in writing by DEGSON. All rights reserved for patent. 除专利号外，其他内容均受法律保护。未经授权，不得复制或传播。 0.1/10