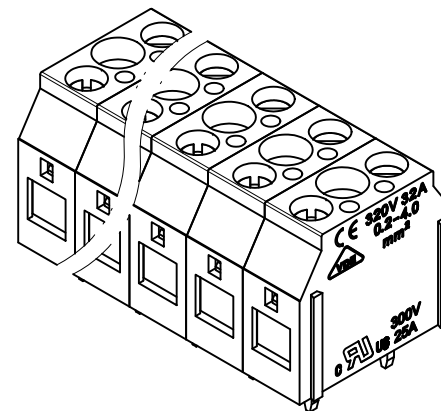
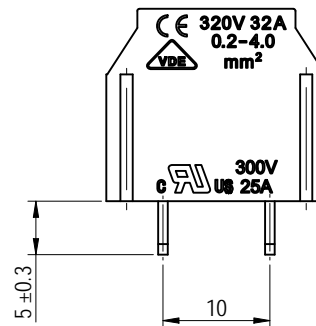
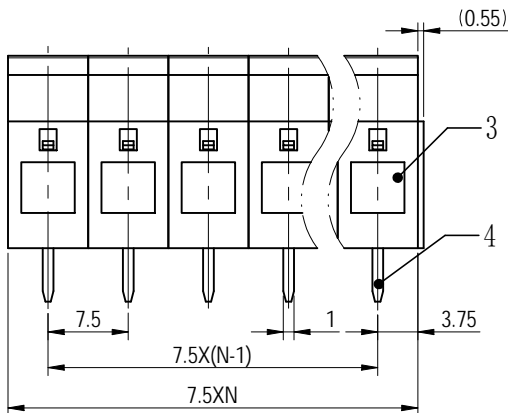
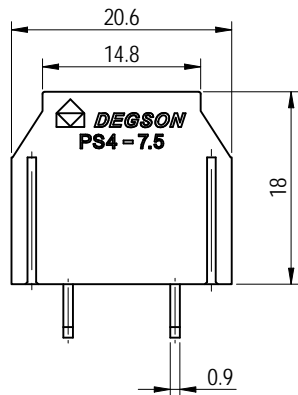
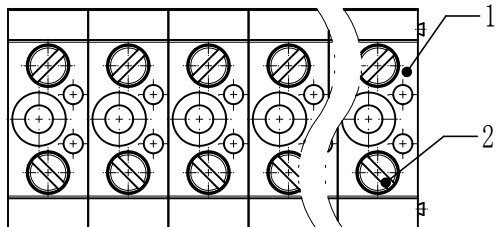
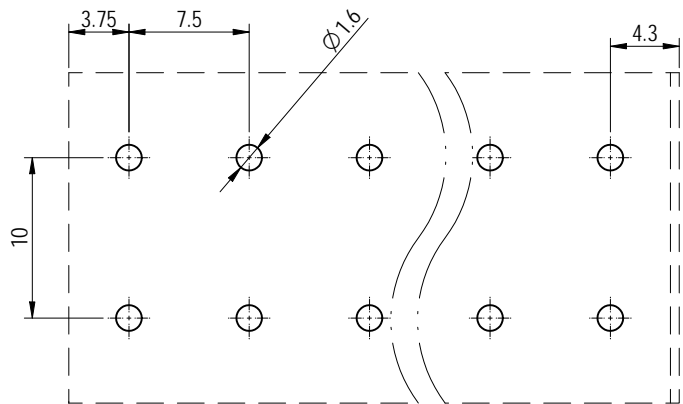


公差/General tolerances (mm)													$\frac{D}{\Delta}$	
0	>3	>6	>10	>18	>30	>50	>80	>120	>180	>250	>315	>400	>500	0.1/10
~ 3	~ 6	~ 10	~ 18	~ 30	~ 50	~ 80	~ 120	~ 180	~ 250	~ 315	~ 400	~ 500	~ >500	$\frac{D}{\Delta}$
± 0.12	± 0.18	± 0.22	± 0.26	± 0.31	± 0.37	± 0.57	± 0.80	± 0.93	± 1.05	± 1.15	± 1.60	± 2.20	± 2.50	± 2



PCB LAYOUT



Note: The A&Z (H) in the name means: A(H) and Z(H).

ITEM	NAME OF PART	MATERIAL	NOTES
4	Pin header	Copper	Sn plated
3	Cage	Copper alloy	M3/Ni plated
2	Screw	Copper alloy	M3/Ni plated
1	Housing	PA66	UL94V-0

UL 标准/UL Standard:	B	C	D
额定电压/电流/Rated Voltage(V)/Current(A)	300/25	/	300/10
IEC 标准/IEC Standard:			
过压类别/Overvoltage Category/污染等级/Pollution Degree	III/3	III/2	II/2
额定电压/电流/Rated Voltage(V)/Current(A)	/	320/32	/
工频耐压/Withstanding voltage(V/1Min)		AC4000	
螺丝扭矩/Torque Tightening(N·m/Lb.in)		M3: 0.5/4.43	
线径范围(硬线和软线)/Wire Range(rigid and flexible)(AWG/mm²)		24~10 / 0.2~4	
间距/Pitch(mm)/线数范围/Poles		7.5/N=01~24P	
剥线长度/Stripping length(mm)		13~14	
使用温度范围/Operating temperature(°C)		-40~+105	
符合RoHS环保要求/Conform to RoHS		Yes	

DEGSON MATERIAL: SURFACE/COLOR: MAT NO./REV: / 00 MAT STATUS: 批量

APPD: 兰泰华 2022.09.01 NAME: PS4-7.5-XXP-1Y-00A&Z(H)

CHKD: 陈超 2022.09.01

DRFT: 姜徐涛 2022.09.01

DRAWING NO. 200029005 TYPE CUSTOMER DRAWING DRAWING STATUS 已发布 SCALE 1:1 SHEET 1/1

REV	ECN	DESCRIPTION	DRFT	DATE
00			姜徐涛	2022.09.01

Transfer or duplication of this document as well as the utilization of its contents without the written permission of DEGSON is prohibited. All rights reserved for patent.