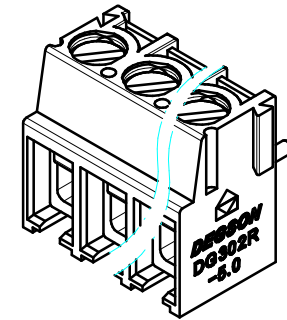
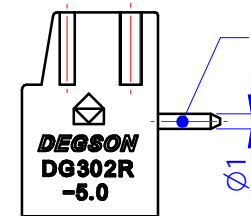
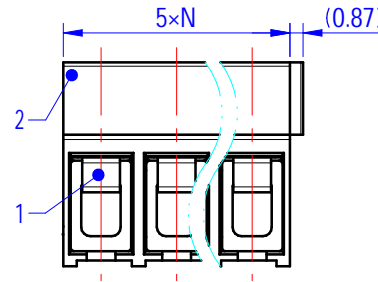
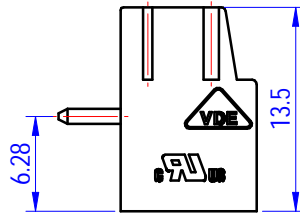
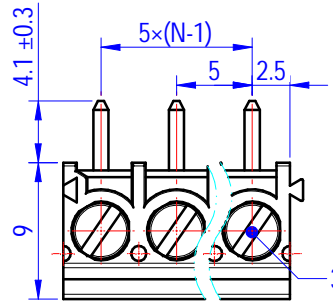
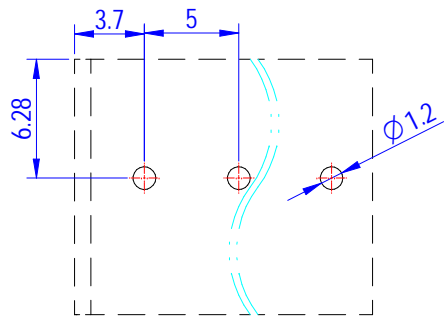


PCB LAYOUT



未注公差/General tolerances (mm)													0.1/10 ±2'
0	>3	>6	>10	>18	>30	>50	>80	>120	>180	>250	>315	>400	
~3	~6	~10	~18	~30	~50	~80	~120	~180	~250	~315	~400	~500	>500
±0.12	±0.18	±0.22	±0.26	±0.31	±0.37	±0.57	±0.80	±0.93	±1.05	±1.15	±1.60	±2.20	±2.50

UL 标准/UL Standard:	B	C	D
额定电压/电流/Rated Voltage(V)/Current(A)	300/20	/	300/10
IEC 标准/IEC Standard:			
过压类别/Overtoltage Category/污染等级/Pollution Degree	III/3	III/2	II/2
额定电压/电流/Rated Voltage(V)/Current(A)	/	250/25	/
工频耐压/Withstand voltage (V 1Min)	AC2000		
螺丝扭矩/Torque Tightening(N·m/Lb.in)	M3, 0.5/4.4		
线径范围(硬线和软线)/Wire Range(rigid and flexible)(AWG mm ²)	20~12/ 0.5~4		
间距/Pitch(mm)/线数范围/Poles	5.0/N= 02~24P		
剥线长度/Stripping length (mm)	6~7		
使用温度范围/Operating temperature(°C)	-40~+105		
符合 RoHS 环保要求/Conform to RoHS	Yes		

4	Pin header	Copper alloy	M3/Sn Plated
3	Screw	Steel	M3/Zn plated
2	Housing	PA66	UL94V-0
1	Spring	Stainless steel	/
ITEM	NAME OF PART	MATERIAL	NOTES

		MATERIAL:		SURFACE/COLOR:	
		MAT NO./REV: / 00		MAT STATUS: 批量	
APPD: 兰春华	2023.09.14	NAME			
CHKD: 陈招	2023.09.13	DG302R-5.0-XXP-1Y-00A&Z(H)			
DRFT: 唐本恒	2023.09.12	DRAWING NO.	TYPE	DRAWING STATUS	SCALE
		200025275	CUSTOMER DRAWING	已发布	2:1
					SHEET 1/1

REV	ECN	DESCRIPTION	DRFT	DATE
01		1x Add the VDE mark for certification	唐本恒	2023.09.12

Transfer or duplication of this document as well as the utilization or communication of its contents are prohibited unless authorized in general. All rights reserved for patent. 除专利声明外，其他内容均受法律保护。未经许可，不得复制或传播。本公司保留对涉及发明、实用新型及外观设计专利的权利。