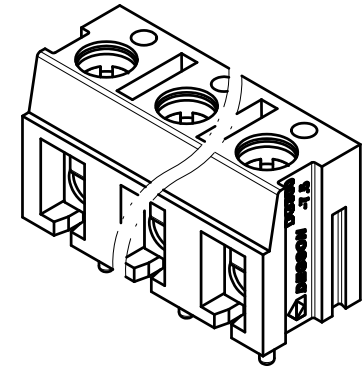
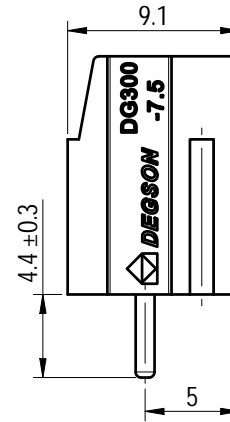
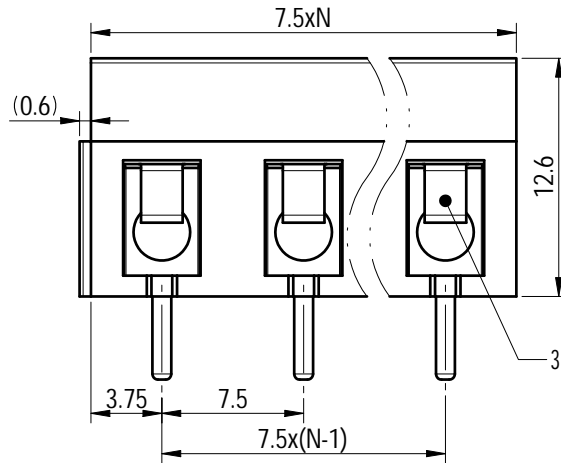
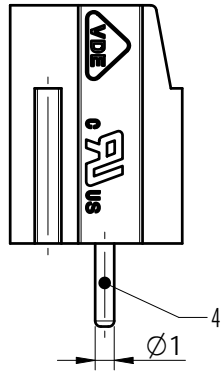
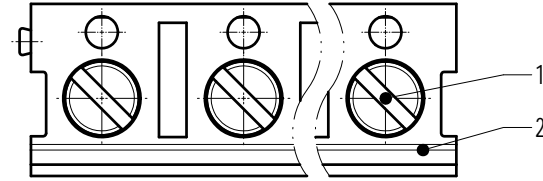
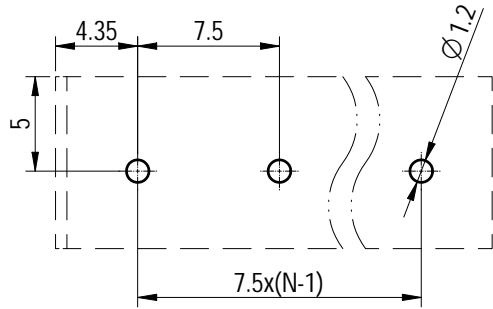


PCB LAYOUT



未注公差/General tolerances (mm)												0.1/10 ±2'		
0 ~ 3	>3 ~ 6	>6 ~ 10	>10 ~ 18	>18 ~ 30	>30 ~ 50	>50 ~ 80	>80 ~ 120	>120 ~ 180	>180 ~ 250	>250 ~ 315	>315 ~ 400		>400 ~ 500	>500
±0.12	±0.18	±0.22	±0.26	±0.31	±0.37	±0.57	±0.80	±0.93	±1.05	±1.15	±1.60	±2.20	±2.50	

UL 标准/UL Standard:	B	C	D
额定电压/电流/Rated Voltage(V)/Current(A)	300/10	/	300/10
IEC 标准/IEC Standard:			
过压类别/Overvoltage Category/污染等级/Pollution Degree	III/3	III/2	II/2
额定电压/电流/Rated Voltage(V)/Current(A)	/	450/24	/
工频耐压/Withstand voltage (V/1Min)	AC2500		
螺丝扭矩/Torque Tightening(N·m/Lb.in)	M3, 0.5/4.43		
线径范围(硬线和软线)/Wire Range(rigid and flexible)(AWG/mm²)	22~14 / 1.0~2.5		
间距/Pitch(mm)/线数范围/Poles	7.5/N=02~16P		
剥线长度/Stripping length(mm)	5~6		
使用温度范围/Operating temperature(°C)	-30~+120		
符合RoHS环保要求/Conform to RoHS	Yes		

Note:  
The A&Z(H) in the name means: A(H) and Z(H).

ITEM	NAME OF PART	MATERIAL	NOTES
4	Pin	Copper alloy	M3/Sn plated
3	Spring	Stainless steel	/
2	Housing	PBT	UL94V-0
1	Screw	Steel	M3/Zn plated

		MATERIAL: /	SURFACE/COLOR: /	
APPD: 兰春华 2022.11.29		MAT NO./REV: - / 00	MAT STATUS: 批量	
CHKD: 陈招 2022.11.29		NAME		
DRFT: 柳学龙 2022.11.29		DG300-7.5-XXP-1Y-00A&Z(H)		
DRAWING NO.	TYPE	DRAWING STATUS	SCALE	SHEET
200025193	CUSTOMER DRAWING	已发布	2.5:1	1/1

REV	ECN	DESCRIPTION	DRFT	DATE
01			柳学龙	2022.11.29

Transfer or duplication of this document as well as the utilization or communication of its contents are prohibited unless authorized in advance. Violations will be treated as illegal activities and will be prosecuted. All rights reserved for patent. 除专利注明授权外，其他内容均受版权保护。未经许可，不得复制或传播。本公司保留对涉及发明、实用新型及外观设计专利的权利。