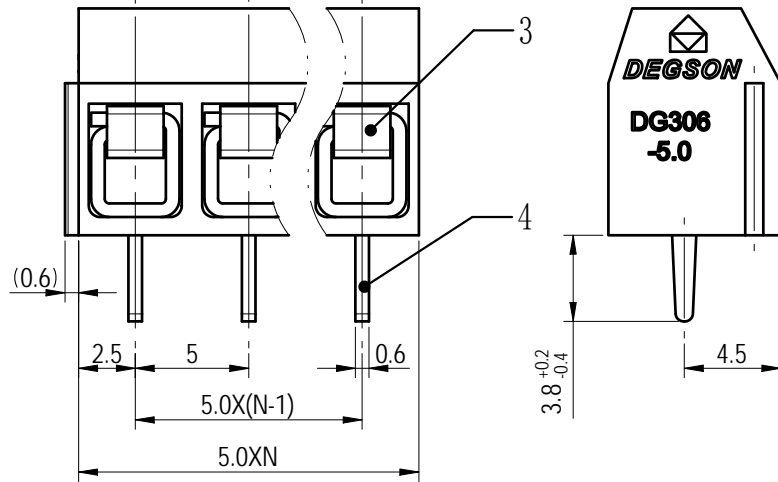
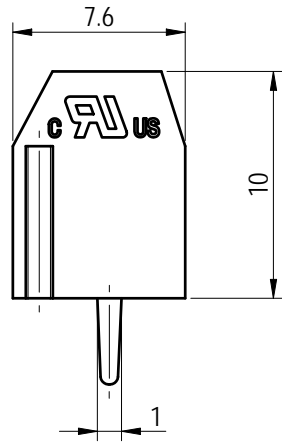
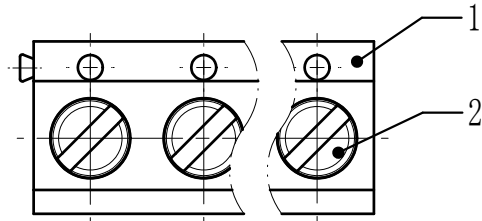
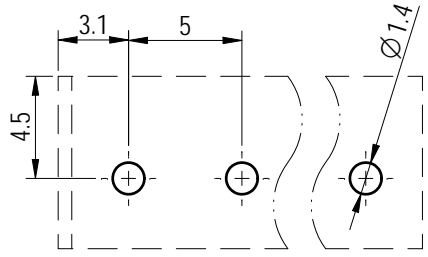
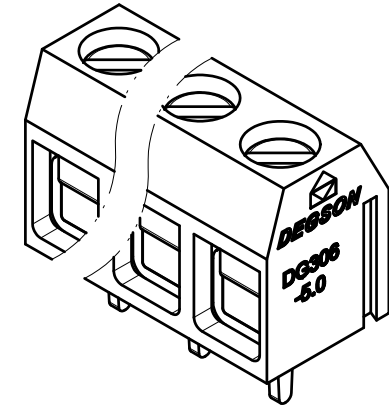


PCB LAYOUT



公差/General tolerances (mm)													0.1/10	
0	>3	>6	>10	>18	>30	>50	>80	>120	>180	>250	>315	>400		>500
±0.12	±0.18	±0.22	±0.26	±0.31	±0.37	±0.57	±0.80	±0.93	±1.05	±1.15	±1.60	±2.20	±2.50	±2'



Note:  
The A&Z (H) in the name means: A(H) and Z(H).

ITEM	NAME OF PART	MATERIAL	NOTES
4	Pin header	Copper alloy	M2.5/Sn Plated
3	Spring	Stainless steel	/
2	Screw	Steel	M2.5/Zn Plated
1	Housing	PBT	UL94V-0

UL 标准/UL Standard:	B	C	D
额定电压/电流/Rated Voltage(V)/Current(A)	300/10	/	/
IEC 标准/IEC Standard:			
过压类别/Overvoltage Category/污染等级/Pollution Degree	III/3	III/2	II/2
额定电压/电流/Rated Voltage(V)/Current(A)	/	250/15	/
工频耐压/Withstanding voltage(V/1Min)	/	AC2000	/
螺丝扭矩/Torque Tightening(N·m/Lb.in)	M2.5, 0.29/2.6		
线径范围(硬线和软线)/Wire Range(rigid and flexible)(AWG/mm²)	22~14 / 0.75~1.5		
间距/Pitch(mm)/线数范围/Poles	5.0/N=02~24P		
剥线长度/Stripping length(mm)	5~6		
使用温度范围/Operating temperature(°C)	-30~+120		
符合RoHS环保要求/Conform to RoHS	Yes		

		MATERIAL:	SURFACE/COLOR:		
MAT NO./REV:		/ 00	MAT STATUS: 批量		
APPD: 兰春华	2022.11.21	NAME			
CHKD: 陈招	2022.11.21	DG306-5.0-XXP-1Y-00A&Z(H)			
DRFT: 龚徐涛	2022.11.18	DRAWING NO.	TYPE	DRAWING STATUS	SCALE
REV	ECN	200103502	CUSTOMER DRAWING	已发布	3:1
DESCRIPTION		SHEET		1/1	

REV	ECN	DESCRIPTION	DRFT	DATE
00			龚徐涛	2022.11.18

Transfer or duplication of this document as well as the utilization or communication of its contents are prohibited unless authorized in writing. All rights reserved for patent, utility model or design registrations. 除专利、实用新型、外观设计注册外，其他内容均受法律保护。未经许可，不得复制或传播。 本公司保留对涉及发明、实用新型及外观设计的所有权利。