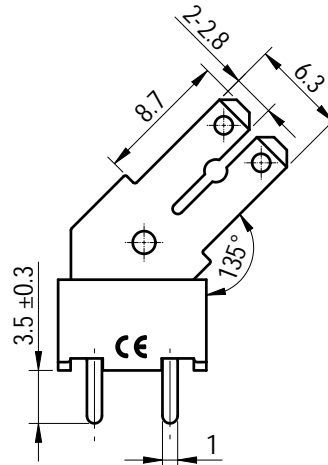
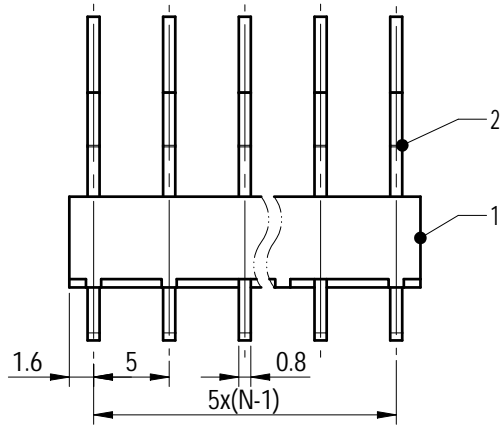
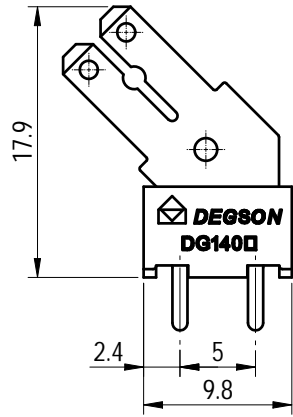
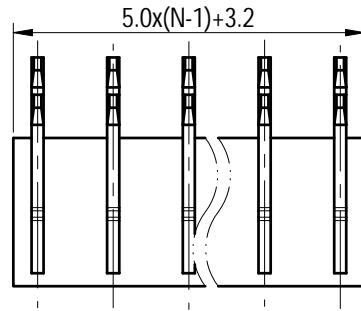
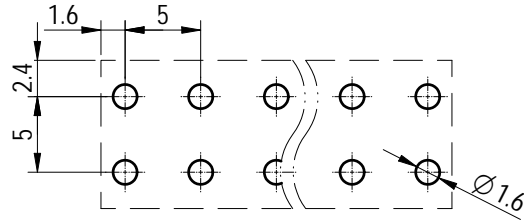
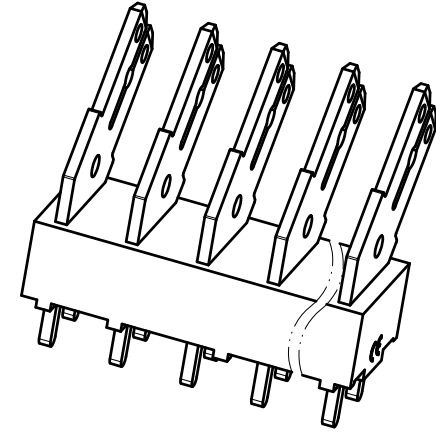


PCB LAYOUT



未注公差/General tolerances (mm)												0.1/10	
0	>3	>6	>10	>18	>30	>50	>80	>120	>180	>250	>315		>400
~3	~6	~10	~18	~30	~50	~80	~120	~180	~250	~315	~400	~500	>500
±0.12	±0.18	±0.22	±0.26	±0.31	±0.37	±0.57	±0.80	±0.93	±1.05	±1.15	±1.60	±2.20	±2.50



Note:
The A&Z(H) in the name means: A(H) and Z(H).

ITEM	NAME OF PART	MATERIAL	NOTES
2	Pin header	Copper alloy	Sn plated
1	Housing	PA66	UL94V-2

UL 标准/UL Standard:	B	C	D
额定电压/电流/Rated Voltage(V)/Current(A)	300/15	/	300/10
IEC 标准/IEC Standard:			
过压类别/Overvoltage Category/污染等级/Pollution Degree	III/3	III/2	II/2
额定电压/电流/Rated Voltage(V)/Current(A)	/	630/24	/
工频耐压电压(V/Min)/Withstanding Voltage(V/Min)	AC3000		
线径范围(硬线和软线)/Wire Range(rigid and flexible)(AWG/mm ²)	26~14/2.5		
间距/Pitch(mm)/线数范围/Poles	5.0/N=02~19P		
使用温度范围/Operating temperature(°C)	-40~+105		
符合RoHS环保要求/Conform to RoHS	Yes		



APPD: 兰春华	2023.01.09
CHKD: 陈招	2023.01.09
DRFT: 柳学龙	2023.01.09

MATERIAL: /	SURFACE/COLOR: /	
MAT NO./REV: - / 00	MAT STATUS: 批量	
NAME DG140S-5.0-XXP-1Y-00A&Z(H)		
DRAWING NO. 200025578	TYPE CUSTOMER DRAWING	DRAWING STATUS 已发布
SCALE 2:1	SHEET 1/1	

00	ECN	变更描述	设计人	设计日期
REV	ECN	DESCRIPTION	柳学龙	2023.01.09

Transfer or duplication of this document as well as the utilization or communication of its contents are prohibited unless authorized in writing by DEGSON. All rights reserved for patent, utility model or design registrations. 除专利权明确标注外, 复制、引用、分发本文件的任何行为, 未经事先获得许可, 均属于侵权行为, 公司将依法追究。 保留所有权利, 未经许可, 不得复制或传播。