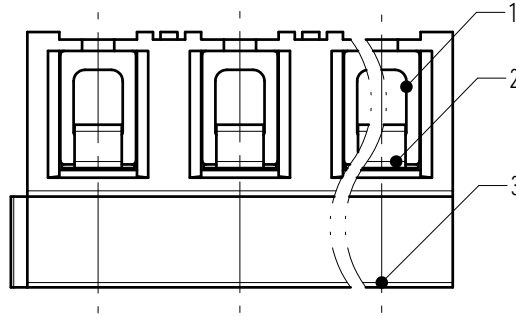
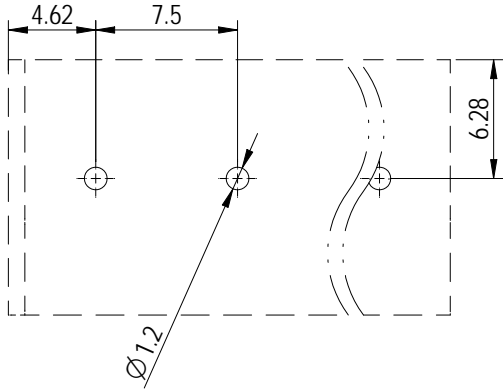


PCB LAYOUT



未注公差/General tolerances (mm)											0.1/10 ±2'		
0	>3	>6	>10	>18	>30	>50	>80	>120	>180	>250			
~3	~6	~10	~18	~30	~50	~80	~120	~180	~250	~315	~400	~500	>500
±0.12	±0.18	±0.22	±0.26	±0.31	±0.37	±0.57	±0.80	±0.93	±1.05	±1.15	±1.60	±2.20	±2.50

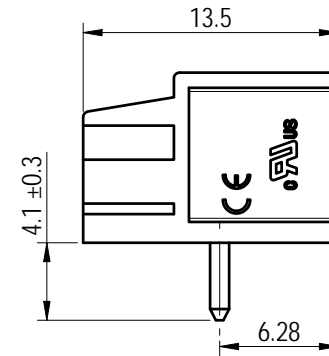
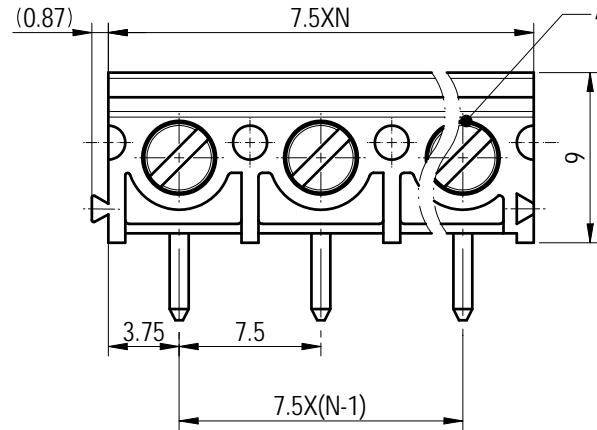
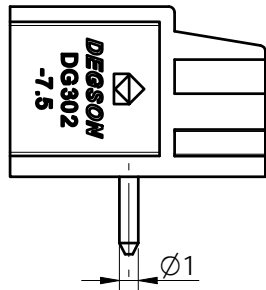
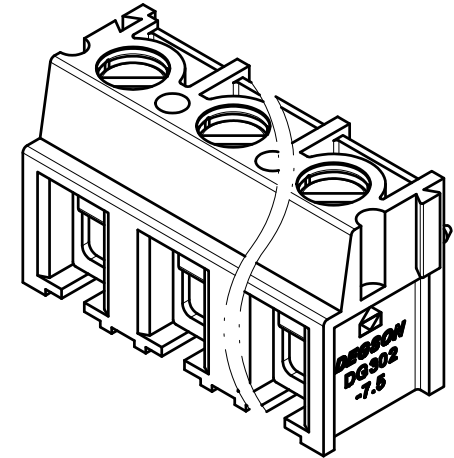
UL 标准/UL Standard:	B	C	D
额定电压/电流/Rated Voltage(V)/Current(A)	300/20	/	300/10
IEC 标准/IEC Standard:			
过压类别/Overvoltage Category/污染等级/Pollution Degree	III/3	III/2	II/2
额定电压/电流/Rated Voltage(V)/Current(A)	/	400/25	/
工频耐压/Withstanding voltage(V/1Min)	/	AC2500	/
螺丝扭矩/Torque Tightening(N·m/Lb.in)	M3, 0.5/4.4		
线径范围(硬线和软线)/Wire Range(rigid and flexible)(AWG/mm²)	20~12/ 0.5~4		
间距/Pitch(mm)/线数范围/Poles	7.5/N=02~16P		
剥线长度/Stripping length(mm)	6.5		
使用温度范围/Operating temperature(°C)	-40~+105		
符合RoHS环保要求/Conform to RoHS	Yes		

A

B

C

D



Note:

The A&Z(H) in the name means :A(H) and Z(H).

ITEM	NAME OF PART	MATERIAL	NOTES
4	Screw	Steel	M3/Zn Plated
3	Housing	PA66	UL94V-0
2	Spring	Stainless steel	/
1	Pin Header	Copper alloy	M3/Sn Plated

		MATERIAL: /	SURFACE/COLOR: /		
		MAT NO./REV: -	MAT STATUS: 批量		
APPD: 兰春华	2023.01.03	NAME			
CHKD: 陈招	2022.12.30	DG302R-7.5-XXP-1Y-00A&Z(H)			
DRFT: 岑凯	2022.12.30	DRAWING NO.	TYPE	DRAWING STATUS	SCALE
		200027963	CUSTOMER DRAWING	已发布	2.5:1
				SHEET	1/1

REV	ECN	DESCRIPTION	DRFT	DATE
00			岑凯	2022.12.30

Transfer or duplication of this document as well as the utilization or communication of its content are prohibited unless authorized in writing by DEGSON. All rights reserved for patent. 除专利注明情况外，其他内容均不作为要约邀请。未经许可，不得擅自复制或传播。如有侵权，公司将依法追究。 0.1/10