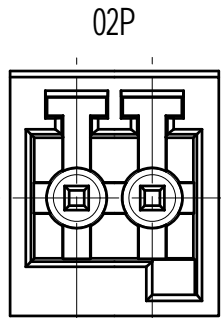
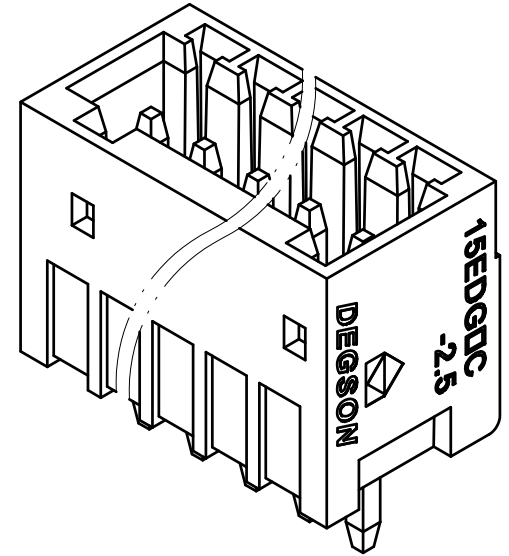
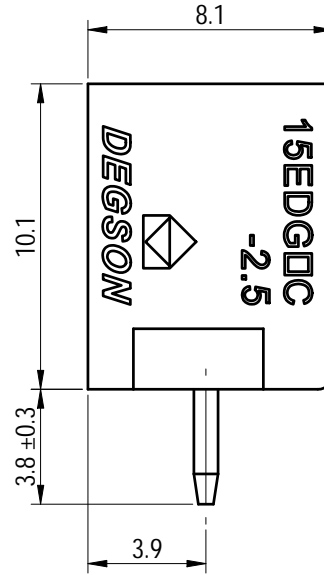
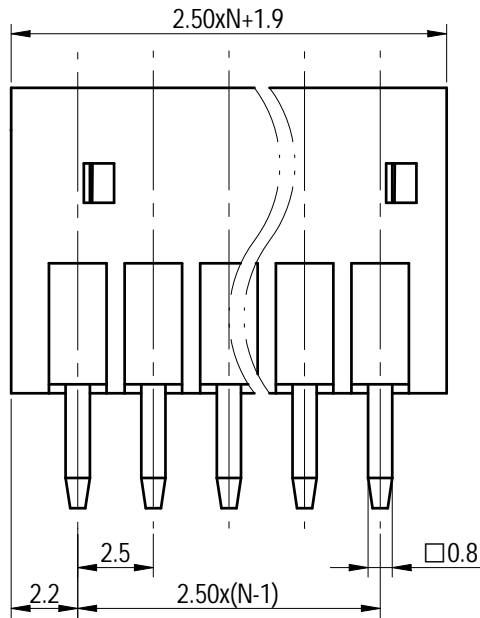
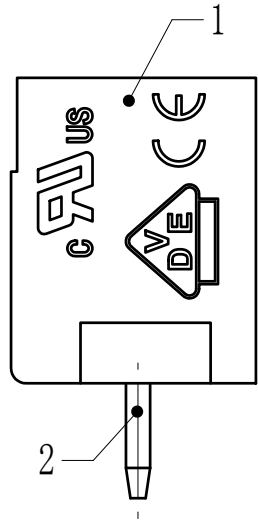
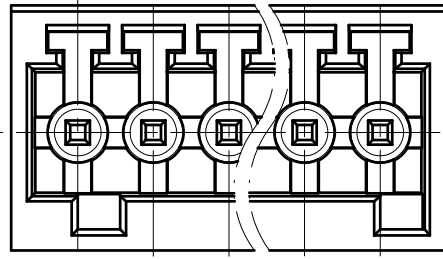
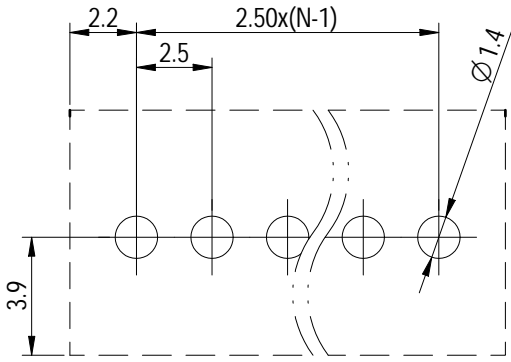


PCB LAYOUT



未注公差/General tolerances (mm)													0.1/10	
0	>3	>6	>10	>18	>30	>50	>80	>120	>180	>250	>315	>400		
~3	~6	~10	~18	~30	~50	~80	~120	~180	~250	~315	~400	~500	>500	
±0.12	±0.18	±0.22	±0.26	±0.31	±0.37	±0.57	±0.80	±0.93	±1.05	±1.15	±1.60	±2.20	±2.50	±2'

Note:
The A&Z (H) in the name means: A(H) and Z(H).

ITEM	NAME OF PART	MATERIAL	NOTES
2	Pin	Copper alloy	Sn Plated
1	Housing	PA66	UL94V-0

UL 标准/UL Standard:	B	C	D
额定电压/电流/Rated Voltage(V)/Current(A)	150/4	/	/
IEC 标准/IEC Standard:			
过压类别/Overvoltage Category/污染等级/Pollution Degree	III/3	III/2	II/2
额定电压/电流/Rated Voltage(V)/Current(A)	/	/	250/5
额定脉冲电压(KV)/Rate Impulse Voltage(KV)	/	/	2.5
间距/Pitch(mm)/线数范围/Poles	2.5/N=02~12P		
使用温度范围/Operating temperature(°C)	-40~+105		
符合RoHS环保要求/Conform to RoHS	Yes		



APPD:	兰春华	2022.09.09
CHKD:	龚耀志	2022.09.08
DRFT:	朱岳鹏	2022.09.08

MATERIAL:		SURFACE/COLOR:		
MAT NO./REV: - / 00		MAT STATUS: 批量		
NAME: 15EDGVC-2.5-XXP-1Y-00A&Z(H)				
DRAWING NO.	TYPE	DRAWING STATUS	SCALE	SHEET
200103996	CUSTOMER DRAWING	已发布	4:1	1/1

00	REV	ECN	DESCRIPTION	DRFT	DATE	朱岳鹏	2022.09.08
----	-----	-----	-------------	------	------	-----	------------

Transfer or duplication of this document as well as the utilization or communication of its contents are prohibited unless authorized in writing. All rights reserved for patent, utility model or design registrations. 除专利权明确标注外, 否则禁止转让、复制、引用、发布等文件的所有权。 未经书面授权, 擅自复制或传播, 均属于侵权行为, 公司将依法追究。 所有权利保留。