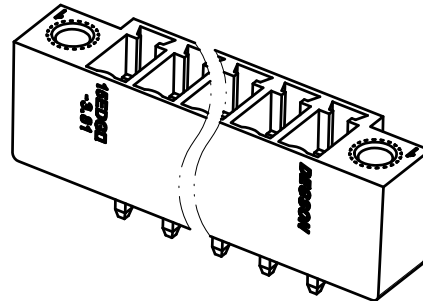
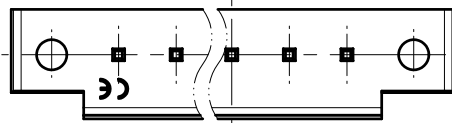
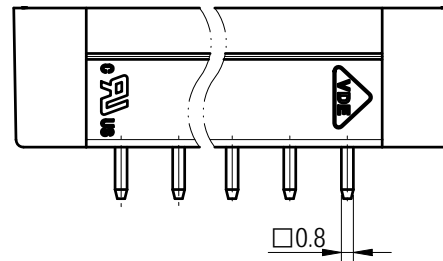
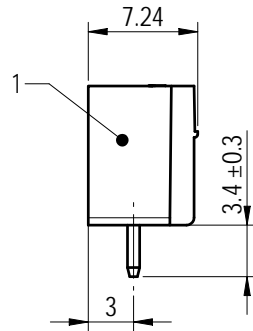
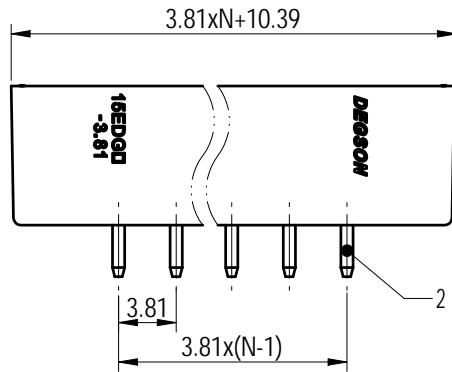
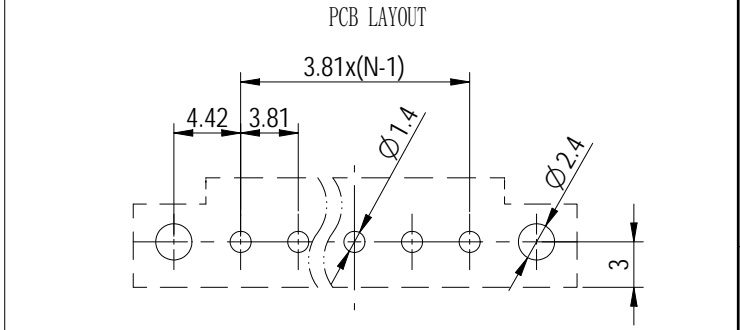
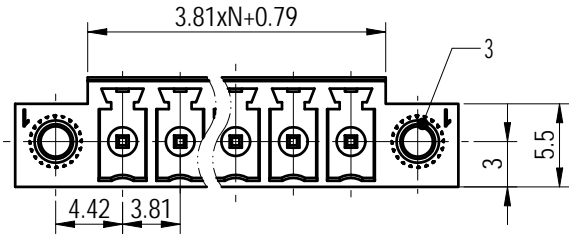


Transfer or duplication of this document as well as the utilization or communication of its contents are prohibited unless permission is granted. 凡在本公司网站公布之文件，其内容均受法律保护。未经许可，不得擅自复制或传播。如有侵权，本公司保留追究法律责任的权利。

未注公差/General tolerances (mm)													D 0.1/10	
0	>3	>6	>10	>18	>30	>50	>80	>120	>180	>250	>315	>400		±2°
~3	~6	~10	~18	~30	~50	~80	~120	~180	~250	~315	~400	>500		
±0.12	±0.18	±0.22	±0.26	±0.31	±0.37	±0.57	±0.80	±0.93	±1.05	±1.15	±1.60	±2.20	±2.50	



Note:
The A&Z(H) in the name means:A(H) and Z(H).

3	Nut	Copper alloy	M2.5
2	Pin	Copper alloy	Sn Plated
1	Housing	PA66	UL94V-0
ITEM	NAME OF PART	MATERIAL	NOTES

UL 标准/UL Standard:	B	C	D
额定电压/电流/Rated Voltage(V)/Current(A)	300/8	/	300/8
IEC 标准/IEC Standard:	III/3	III/2	II/2
过压类别/Overvoltage Category/污染等级/Pollution Degree	/	/	250/7
额定电压/电流/Rated Voltage(V)/Current(A)	/	/	2.5
额定脉冲电压(KV)/Rate Impulse Voltage(KV)	3.81/N=02~24P		
间距/Pitch(mm)/线数范围/Poles	-40~+105		
使用温度范围/Operating temperature(°C)	Yes		
符合RoHS环保要求/Conform to RoHS			

APPD: 兰春华	2022.09.06
CHKD: 龚耀志	2022.09.06
DRFT: 周锡锦	2022.09.06

MATERIAL:	SURFACE/COLOR:		
MAT NO./REV: - / 00	MAT STATUS: 批量		
NAME			
15EDGVM-3.81-XXP-1Y-00A&Z(H)			
DRAWING NO.	TYPE	DRAWING STATUS	SCALE
200029734	CUSTOMER DRAWING	已发布	2:1
			SHEET
			1/1

00			周锡锦	2022.09.06
REV	ECN	DESCRIPTION	DRFT	DATE