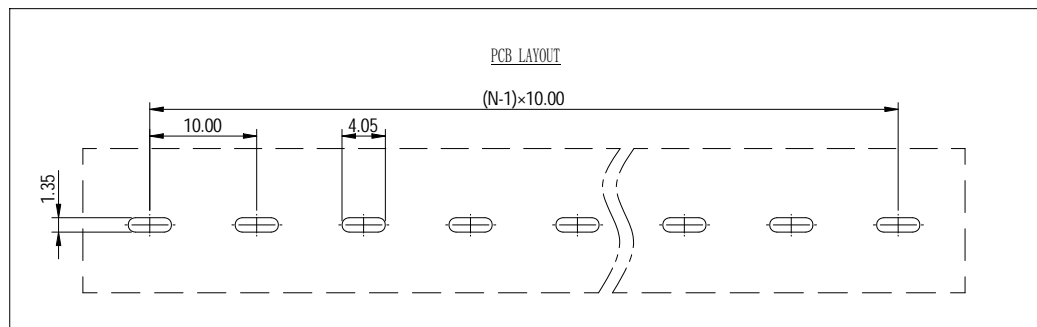
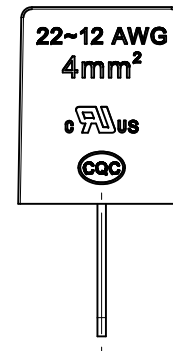
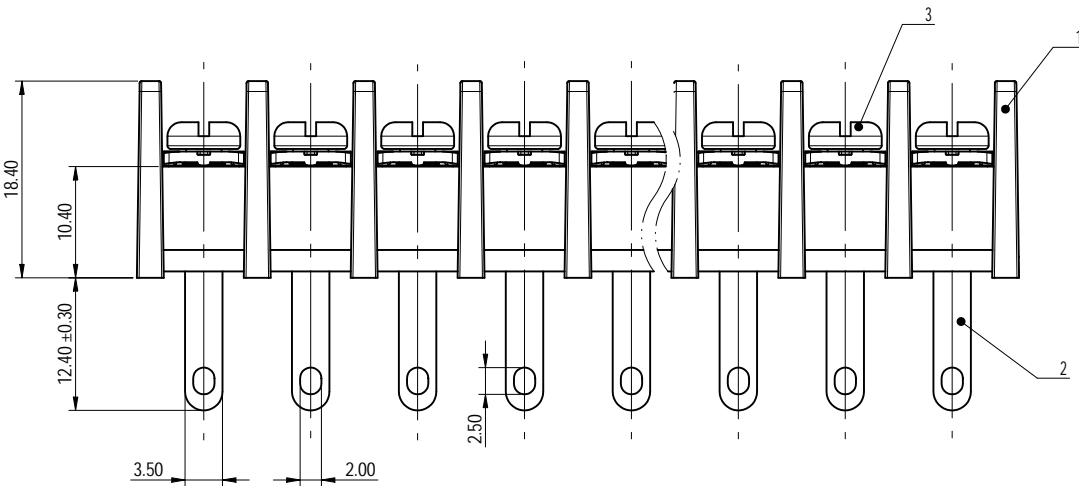
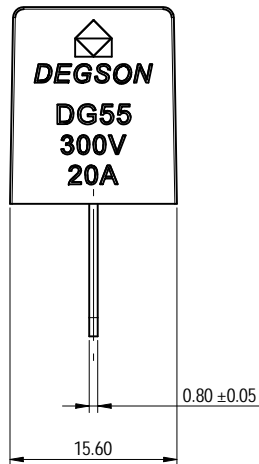
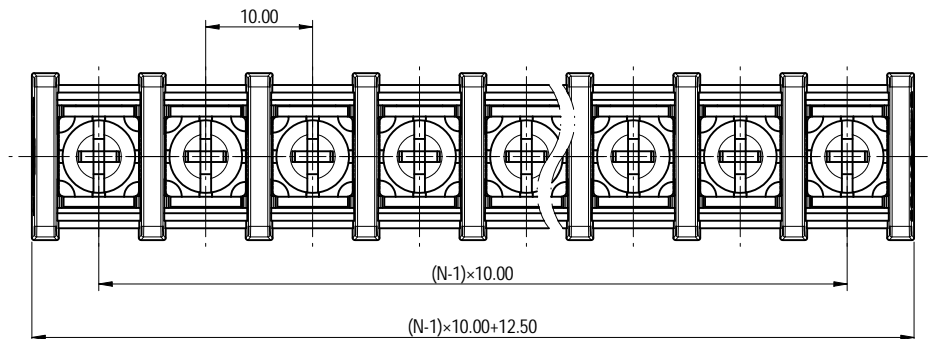


公差 (General tolerances (mm))											D 0.1/10		
0	>3	>6	>10	>18	>30	>50	>80	>120	>180	>250		>315	>400
±0.12	±0.18	±0.22	±0.26	±0.31	±0.37	±0.57	±0.80	±0.93	±1.05	±1.15	±1.60	±2.00	±2.50



Note: The A&Z (H) in the name means: A(H) and Z(H).

ITEM	NAME OF PART	MATERIAL	NOTES
3	Screw	Steel	Ni Plated
2	Pin header	Copper alloy	Sn Plated
1	Housing	PA66	UL94V-0
UL 标准/UL Standard:			
额定电压/电流/Rated Voltage(V)/Current(A)		300/20(B/C)	
螺丝扭矩/Torque Tightening(N.m/Lb.in)		M4: 1.2/10.63	
线径范围(硬线和软线)/Wire Range(rigid and flexible)(AWG)		22-12	
间距/Pitch(mm)/线数范围/Poles		10.00/N=02-24P	
使用温度范围/Operating temperature(°C)		-40--+105	
符合RoHS环保要求/Conform to RoHS		Yes	

DEGSON		MATERIAL:		SURFACE/COLOR:	
APPD: 蓝美凡	2023.11.20	MAT NO./REV: -	/ 00	MAT STATUS: 批量	
CHKD: 曹利影	2023.11.20	NAME: DG55H-B-XXP-1Y-00A&Z(H)			
DRFT: 姜民浩	2023.11.20	DRAWING NO. 200252445	TYPE: CUSTOMER DRAWING	DRAWING STATUS: 已发布	SCALE: 2:1
REV: 00	ECN:	DESCRIPTION:	DRFT:	DATE:	SHEET: 1/1

Transfer or duplication of this document as well as the utilization of its contents in any form without the written permission of DEGSON is prohibited. All rights reserved for patent.