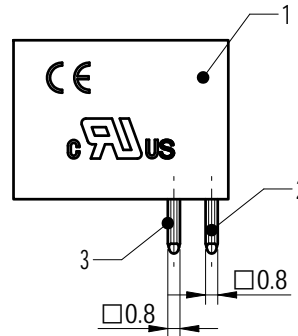
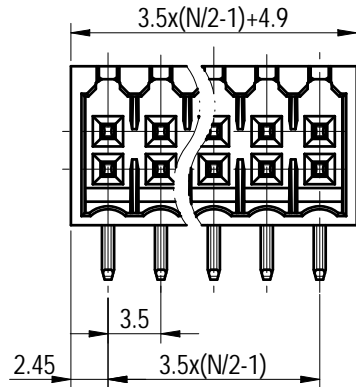
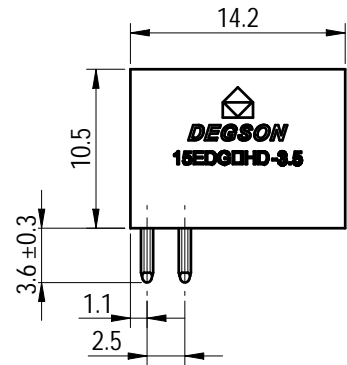
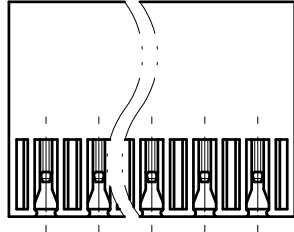
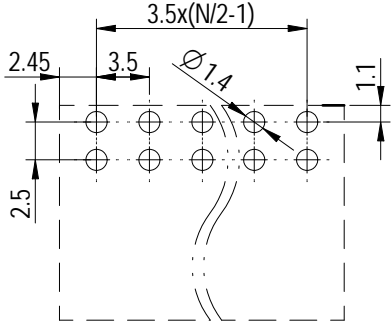
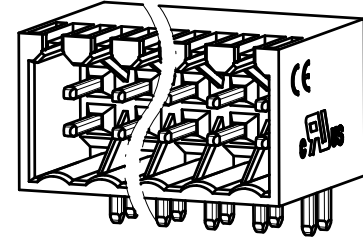


PCB LAYOUT



公差/General tolerances (mm)													0.1/10	
0 ~ 3	>3 ~ 6	>6 ~ 10	>10 ~ 18	>18 ~ 30	>30 ~ 50	>50 ~ 80	>80 ~ 120	>120 ~ 180	>180 ~ 250	>250 ~ 315	>315 ~ 400	>400 ~ 500		>500
±0.12	±0.18	±0.22	±0.26	±0.31	±0.37	±0.57	±0.80	±0.93	±1.05	±1.15	±1.60	±2.20	±2.50	±2'



ITEM	NAME OF PART	MATERIAL	NOTES
3	Short pin	Copper	Sn Plated
2	Long pin	Copper	Sn Plated
1	Housing	PA66+GF	UL94V-0

UL 标准/UL Standard:	B	C	D
额定电压/电流/Rated Voltage(V)/Current(A)	150/10	50/10	/
IEC 标准/IEC Standard:			
过压类别/Overvoltage Category/污染等级/Pollution Degree	III/3	III/2	II/2
额定电压/电流/Rated Voltage(V)/Current(A)	80/10	125/10	200/10
额定脉冲电压(KV)/Rate Impulse Voltage(KV)	2.5	2.5	2.5
间距/Pitch(mm)/线数范围/Poles	3.5/N= 04~ 48P		
使用温度范围/Operating temperature(°C)	-40~ +105		
符合RoHS环保要求/Conform to RoHS	Yes		

DEGSON	
APPD: 兰春华	2024.03.11
CHKD: 张玉华	2024.03.09
DRFT: 陈迪辉	2024.03.06

MATERIAL:	SURFACE/COLOR:		
MAT NO./REV:	/ 00.01	MAT STATUS: 批量	
NAME	15EDGRHD-3.5-XXP-1Y-00Z(H)		
DRAWING NO.	TYPE	DRAWING STATUS	SCALE
200029717	CUSTOMER DRAWING	已发布	2:1
SHEET		1/1	

REV	ECN	DESCRIPTION	DRFT	DATE
02			陈迪辉	2024.03.06

Transfer or duplication of this document as well as the utilization or communication of its contents are prohibited unless authorized in writing by DEGSON. All rights reserved for patent. 除专利注明情况外，其他部分均受版权保护。未经授权，不得复制或传播。 除专利注明情况外，其他部分均受版权保护。 除专利注明情况外，其他部分均受版权保护。