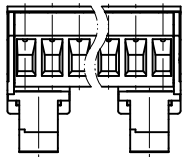
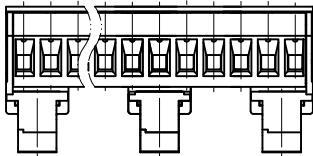


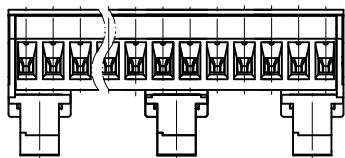
未注公差/General tolerances(mm)												0.05/10		
0	>3	>6	>10	>18	>30	>50	>80	>120	>180	>250	>315	>400	>500	0.05/10 ±1
~	~	~	~	~	~	~	~	~	~	~	~	~	~	
±0.08	±0.12	±0.18	±0.22	±0.26	±0.31	±0.37	±0.57	±0.80	±0.93	±1.05	±1.15	±1.60	±2.20	



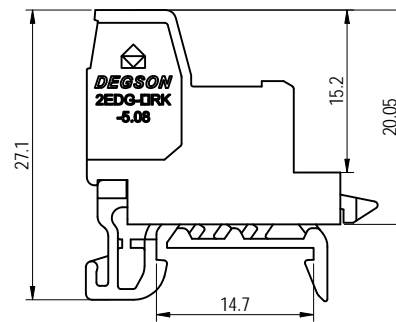
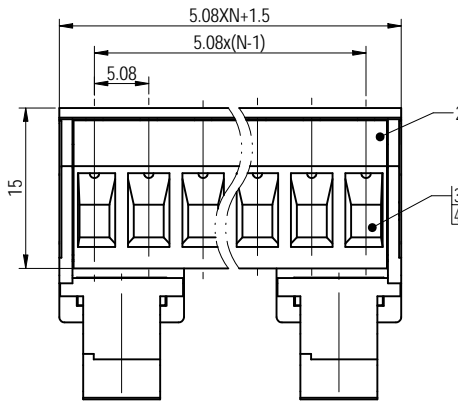
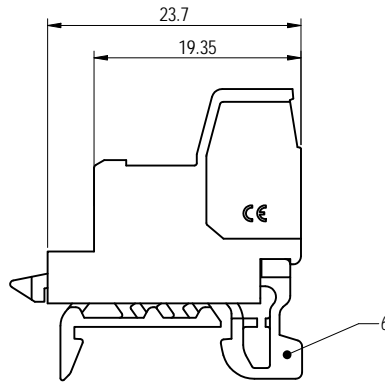
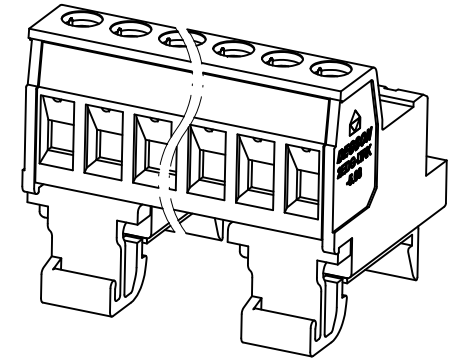
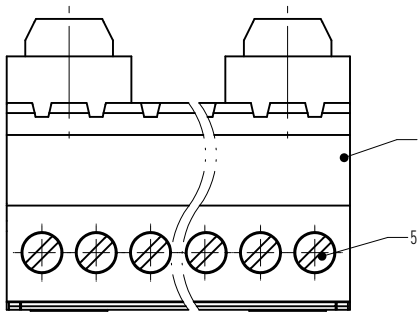
6-10P(Slots at both ends)



11-24P(Even number poles)



11-24P(Odd number poles)



Note:  
The A&Z(H) in the name means: A(H) and Z(H).

ITEM	NAME OF PART	MATERIAL	NOTES
6	Housing 2	PA66	UL94V-0
5	Screw	Steel	Zn Plated
4	Cage	Copper alloy	Ni Plated
3	Pin header	Copper	Sn Plated
2	Cover	PA66	UL94V-0
1	Housing 1	PA66	UL94V-0

UL 标准/UL Standard:	B	C	D
额定电压/电流/Rated Voltage(V)/Current(A)	300/15	7	300/10
IEC 标准/IEC Standard:			
过压类别/Overvoltage Category/污染等级/Pollution Degree	III/3	II/2	II/2
额定电压/电流/Rated Voltage(V)/Current(A)	/	320/20	/
额定脉冲电压(KV)/Rate Impulse Voltage(KV)	/	4	/
螺钉扭矩/Torque Tightening(N·m/Lb.in)	M3: 0.5/4.43		
线径范围(硬线和软线)/Wire Range(rigid and flexible)(AWG/mm <sup>2</sup> )	28~12 / 0.2~2.5		
间距/Pitch(mm)/线数范围/Poles	5.08/N=06~24P		
剥线长度/Stripping length(mm)	7~8		
使用温度范围/Operating temperature(°C)	-40~+105		
符合RoHS环保要求/Conform to RoHS	Yes		
标准颜色编号/Standard color number: PANTONE / RAL	/		

<b>DEGSON</b>		MATERIAL:		SURFACE/COLOR:	
APPD: 兰春华	2022.11.23	MAT NO./REV: - / 00		MAT STATUS: 批量	
CHKD: 黄耀志	2022.11.23	NAME: 2EDG-VRK-5.08-XXP-1Y-00A&Z(H)			
DRFT: 方哲盛	2022.11.22	DRAWING NO. 200019506	TYPE CUSTOMER DRAWING	DRAWING STATUS 已发布	SCALE 2:1
REV	ECN	DESCRIPTION	DRFT	DATE	SHEET 1/1

Transfer or duplication of this document as well as the utilization of its contents without the written permission of DEGSON is prohibited. All rights reserved for patent.