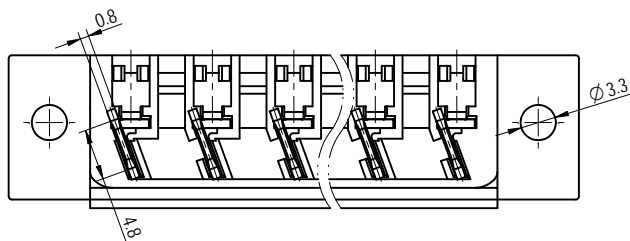
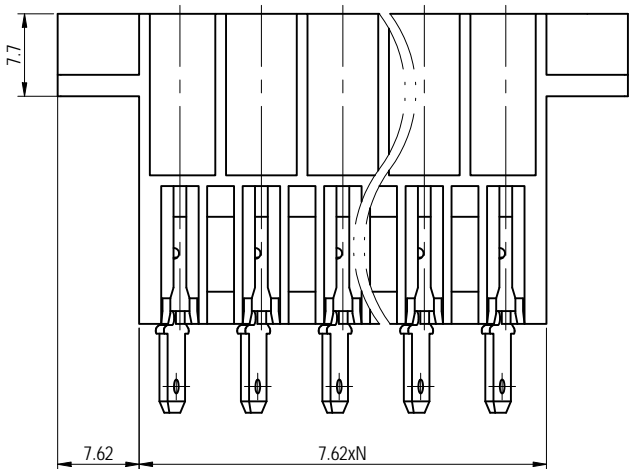
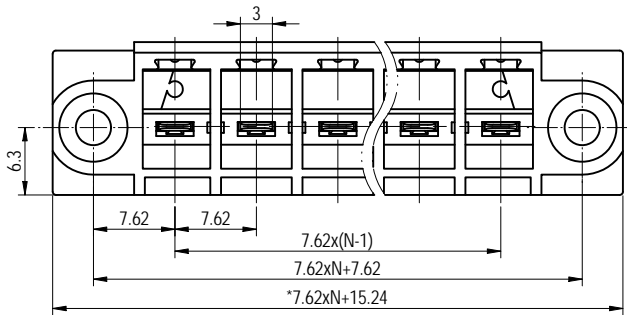
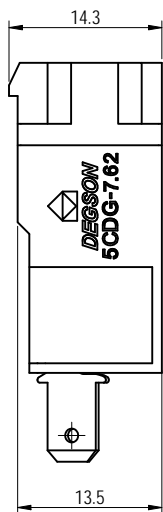
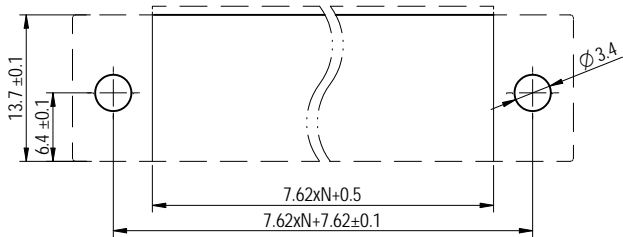
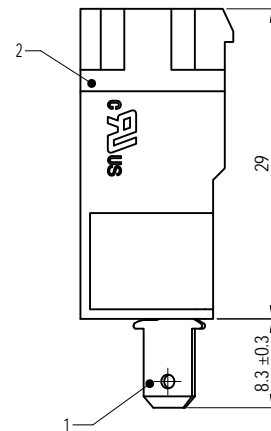
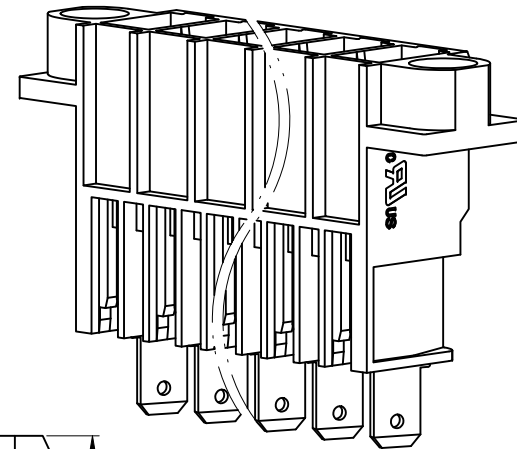


PCB LAYOUT



未注公差/General tolerances (mm)											D			
0	>3	>6	>10	>18	>30	>50	>80	>120	>180	>250	>315	>400	>500	0.1/10
3	6	10	18	30	50	80	120	180	250	315	400	500	>500	N
±0.12	±0.18	±0.22	±0.26	±0.31	±0.37	±0.57	±0.80	±0.93	±1.05	±1.15	±1.60	±2.20	±2.50	±2



ITEM	NAME OF PART	MATERIAL	NOTES
2	Housing	PBT	UL94V-0
1	Pin	Copper	Sn Plated

UL 标准/UL Standard:	B	C	D
额定电压/电压/Rated Voltage(V)/Current(A)	300/30	300/30	/
IEC 标准/IEC Standard:			
过压类别/Overvoltage Category/污染等级/Pollution Degree	III/3	III/2	II/2
额定电压/电压/Rated Voltage(V)/Current(A)	/	400/32	/
额定脉冲电压/(KV)/Rate Impulse Voltage(KV)	/	4	/
间距/Pitch(mm)/线数范围/Poles	7.62/N=02~12P		
使用温度范围/Operating temperature(°C)	-40~+105		
符合RoHS环保要求/Conform to RoHS	Yes		

	MATERIAL:	SURFACE/COLOR:			
	MAT NO./REV: - / 00	MAT STATUS: 批量			
APPD: 兰春华 2024.05.06	NAME: 5CDG-7.62-XXP-1Y-00Z(H)				
CHKD: 黄耀志 2024.05.06	DRAWING NO. 200030387				
DRFT: 方哲盛 2024.05.06	TYPE: CUSTOMER DRAWING				
REV: 01		DESCRIPTION: 2X Remove side triangle boss and add internal rib		DRFT: 方哲盛	DATE: 2024.05.06
REV: ECN		DESCRIPTION		DRFT	DATE
A3		1/1		200030387	
A3		1/1		200030387	

REV	ECN	DESCRIPTION	DRFT	DATE	DRAWING NO.	TYPE	DRAWING STATUS	SCALE	SHEET
01		2X Remove side triangle boss and add internal rib	方哲盛	2024.05.06	200030387	CUSTOMER DRAWING	已发布	2:1	1/1

Transfer or duplication of this document as well as the utilization of its contents without the written consent of DEGSON is prohibited. All rights reserved for patent. 复制或再行发布此文件以及其内容之利用，未经 DEGSON 书面同意，均属侵权行为。DEGSON 保留所有权利。未经许可，不得复制或再行发布此文件及其内容。