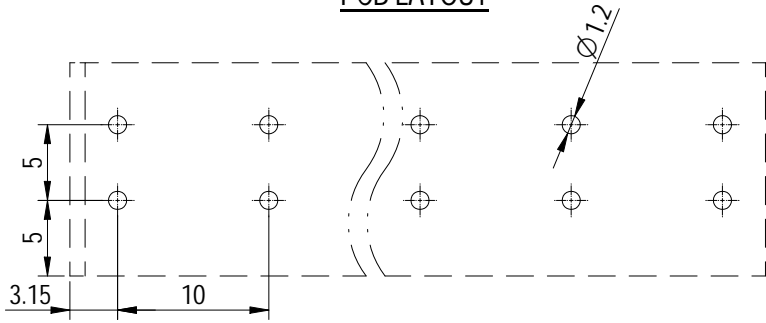
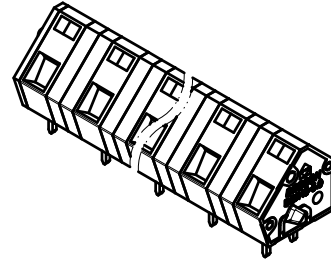


PCB LAYOUT



1:1



未注公差/General tolerances (mm)

0	>3	>6	>10	>18	>30	>50	>80	>120	>180	>250	>315	>400	>500	0.1/10 ±2'
~3	~6	~10	~18	~30	~50	~80	~120	~180	~250	~315	~400	~500		
±0.12	±0.18	±0.22	±0.26	±0.31	±0.37	±0.57	±0.80	±0.93	±1.05	±1.15	±1.60	±2.20	±2.50	

UL 标准/UL Standard:

额定电压/电流/Rated Voltage(V)/Current(A)	B	C	D
	300/15	/	300/10

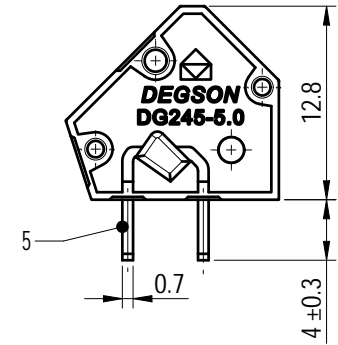
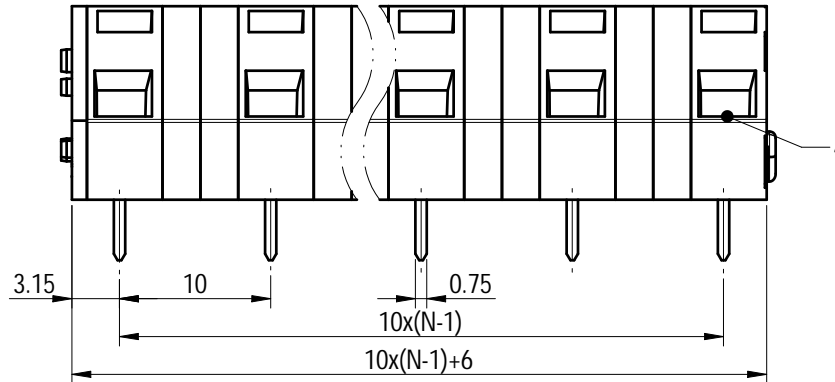
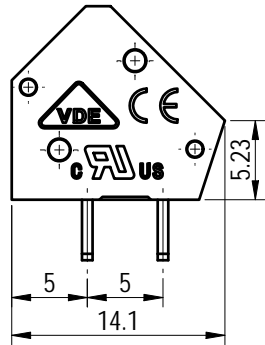
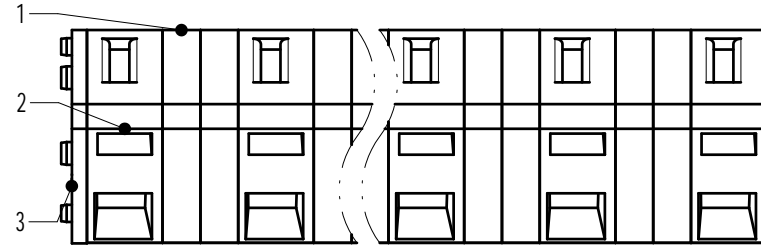
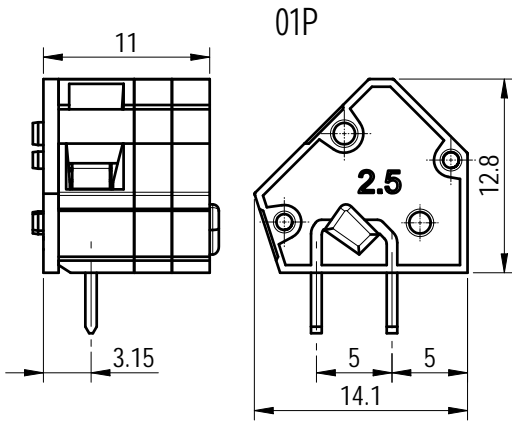
IEC 标准/IEC Standard:

过压类别/Overvoltage Category/污染等级/Pollution Degree	III/3	III/2	II/2
额定电压/电流/Rated Voltage(V)/Current(A)	/	1000/17	/
工频耐压/Withstanding Voltage(V/Min)	AC3500		
线径范围(硬线和软线)/Wire Range(rigid and flexible)(AWG/mm <sup>2</sup> )	28~12 / 0.2~2.5		
间距/Pitch(mm)/线数范围/Poles	10.0/N=01~08P		
剥线长度/Stripping length(mm)	5~6		
使用温度范围/Operating temperature(°C)	-40~+105		
符合RoHS环保要求/Conform to RoHS	Yes		

5	Pin header	Copper alloy	Sn plated
4	Spring	Stainless steel	/
3	Cover	PA66	UL94V-0
2	Housing	PA66	UL94V-0
1	Clapboard	PA66	UL94V-0
ITEM	NAME OF PART	MATERIAL	NOTES

Note:

The A&Z(H) in the name means: A(H) and Z(H).



MATERIAL: /	SURFACE/COLOR: /
MAT NO./REV: - / 00	MAT STATUS: 批量

APPD: 兰春华	2023.02.24	NAME
CHKD: 陈招	2023.02.24	
DRFT: 柳学龙	2023.02.24	

DG245-10.0-XXP-1Y-00A&Z(H)

00		原PDM元外部2D, 新出外部2D 00版	柳学龙	2023.02.24		DRAWING NO.	TYPE	DRAWING STATUS	SCALE	SHEET
REV	ECN	DESCRIPTION	DRFT	DATE	比例 A4	200120899	CUSTOMER DRAWING	已发布	2:1	1/1

Transfer or duplication of this document as well as the utilization or communication of its contents are prohibited unless authorized in writing by DEGSON. All rights reserved for patent. 未经授权复制或传播本文件内容及利用其内容均属于侵权行为, 一经发现将依法追究。 除特别声明外, 本文件内容均受专利保护。