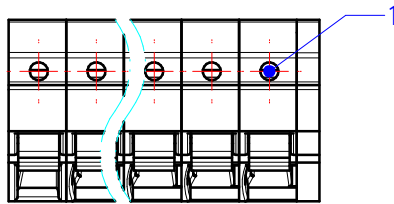
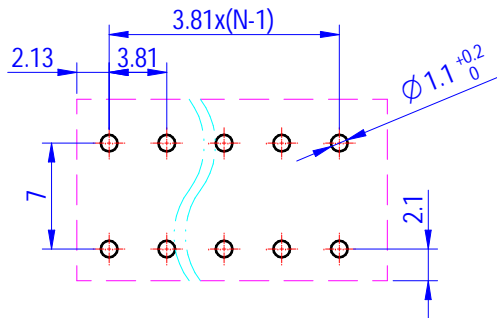
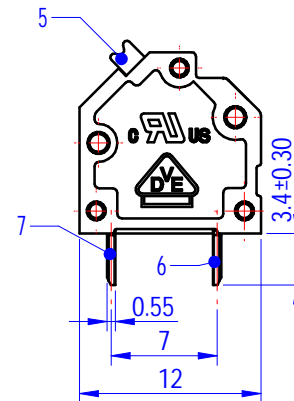
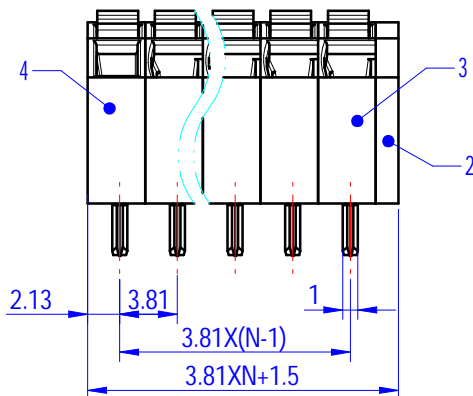
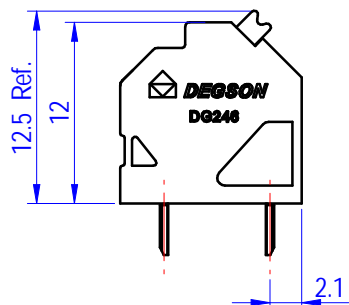


PCB LAYOUT



未注公差/General tolerances (mm)												0.1/10 ±2'		
0	>3	>6	>10	>18	>30	>50	>80	>120	>180	>250	>315		>400	>500
±0.12	±0.18	±0.22	±0.26	±0.31	±0.37	±0.57	±0.80	±0.93	±1.05	±1.15	±1.60	±2.20	±2.50	

UL 标准/UL Standard:	B	C	D
额定电压/电流/Rated Voltage(V)/Current(A)	300/10	/	300/10
IEC 标准/IEC Standard:			
过压类别/Overvoltage Category/污染等级/Pollution Degree	III/3	III/2	II/2
额定电压/电流/Rated Voltage(V)/Current(A)	160/9	160/9	320/9
额定脉冲电压(KV)/Rate Impulse Voltage(KV)	2.5	2.5	2.5
线径范围(硬线和软线)/Wire Range(rigid and flexible)(AWG mm ²)	26- 16/ 0.2- 1.5		
间距/Pitch(mm)/线数范围/Poles	3.81/N= 02- 24P		
剥线长度/Stripping length(mm)	10		
使用温度范围/Operating temperature(°C)	-40- +105		
符合RoHS环保要求/Conform to RoHS	Yes		



7	Front Pin header	Copper alloy	Sn Plated
6	Back Pin header	Copper alloy	Sn Plated
5	Button	POM	UL94HB
4	Side Housing	PA66	UL94V-0
3	Housing	PA66	UL94V-0
2	Cover	PA66	UL94V-0
1	Spring	Stainless steel	/
ITEM	NAME OF PART	MATERIAL	NOTES

		MATERIAL:	SURFACE/COLOR:			
		MAT NO./REV:	MAT STATUS: 批量			
APPD: 兰春华	2023.11.13	NAME				
CHKD: 张玉华	2023.11.10	DG246-3.81-XXP-1Y-00A&Z(H)				
DRFT: 申玉堂	2023.11.10	DRAWING NO.	TYPE	DRAWING STATUS	SCALE	SHEET
		200025180	CUSTOMER DRAWING	已发布	2:1	1/1

REV	ECN	DESCRIPTION	DRFT	DATE
01		1X Add VDE certification mark	申玉堂	2023.11.10

Transfer or duplication of this document as well as the utilization or communication of its contents are prohibited unless explicitly authorized by Degson. All rights reserved for patent. 除专利号外，其他内容均受法律保护。未经授权，不得复制或传播。