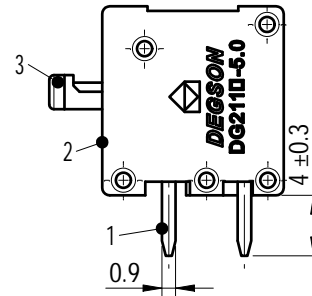
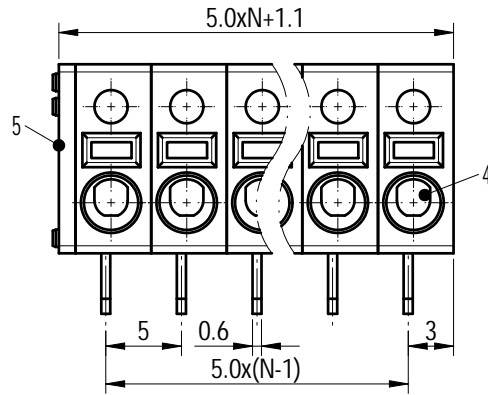
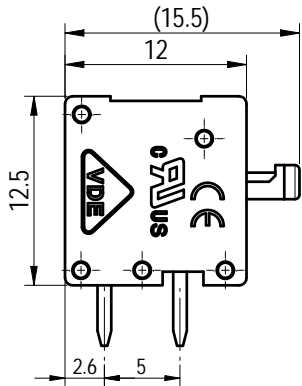
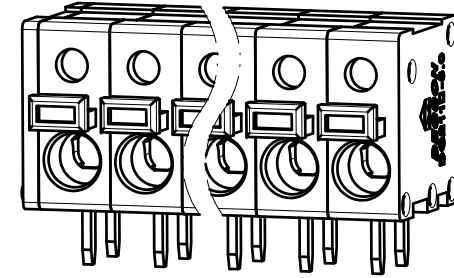
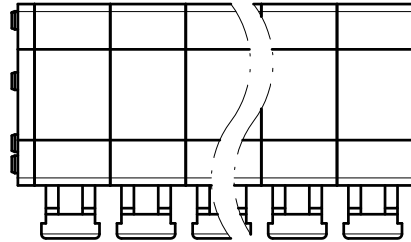


| 未注公差/General tolerances (mm) |       |       |       |       |       |       |       |       |       |       |       |       | 0.1/10 |
|------------------------------|-------|-------|-------|-------|-------|-------|-------|-------|-------|-------|-------|-------|--------|
| 0                            | >3    | >6    | >10   | >18   | >30   | >50   | >80   | >120  | >180  | >250  | >315  | >400  |        |
| ~3                           | ~6    | ~10   | ~18   | ~30   | ~50   | ~80   | ~120  | ~180  | ~250  | ~315  | ~400  | ~500  |        |
| ±0.12                        | ±0.18 | ±0.22 | ±0.26 | ±0.31 | ±0.37 | ±0.57 | ±0.80 | ±0.93 | ±1.05 | ±1.15 | ±1.60 | ±2.20 |        |
|                              |       |       |       |       |       |       |       |       |       |       |       | ±2.50 | ±2'    |



Note: The A&Z(H) in the name means: A(H) and Z(H).

| ITEM | NAME OF PART | MATERIAL        | NOTES     |
|------|--------------|-----------------|-----------|
| 5    | Cover        | PA66            | UL94V-0   |
| 4    | Spring       | Stainless steel | /         |
| 3    | Button       | POM             | UL94HB    |
| 2    | Housing      | PA66            | UL94V-0   |
| 1    | Pin header   | Copper alloy    | Sn plated |

| UL 标准/UL Standard:                                  | B               | C      | D    |
|---|-----------------|--------|------|
| 额定电压/电流/Rated Voltage(V)/Current(A)                 | 300/8           | /      | /    |
| IEC 标准/IEC Standard:                                |                 |        |      |
| 过压类别/Overvoltage Category/污染等级/Pollution Degree     | III/3           | III/2  | II/2 |
| 额定电压/电流/Rated Voltage(V)/Current(A)                 | /               | 250/15 | /    |
| 额定脉冲电压(KV)/Rate Impulse Voltage(KV)                 | AC2000          |        |      |
| 线径范围(硬线和软线)/Wire Range(rigid and flexible)(AWG/mm²) | 26~16 / 0.2~1.5 |        |      |
| 间距/Pitch(mm)/线数范围/Poles                             | 5.0/N=01~24P    |        |      |
| 剥线长度/Stripping length(mm)                           | 8~9             |        |      |
| 使用温度范围/Operating temperature(°C)                    | -40~+105        |        |      |
| 符合RoHS环保要求/Conform to RoHS                          | Yes             |        |      |



|                     |                |
|---------------------|----------------|
| MATERIAL: -         | SURFACE/COLOR: |
| MAT NO./REV: - / 00 | MAT STATUS: 批量 |

|           |            |
|-----------|------------|
| APPD: 兰春华 | 2022.08.02 |
| CHKD: 陈招  | 2022.08.02 |
| DRFT: 袁路易 | 2022.08.01 |

|                            |  |  |  |  |
|----------------------------|--|--|--|--|
| NAME                       |  |  |  |  |
| DG211R-5.0-XXP-1Y-00A&Z(H) |  |  |  |  |

| REV | ECN | DESCRIPTION | DRFT | DATE       | 比例 | 图例     | DRAWING NO. | TYPE             | DRAWING STATUS | SCALE | SHEET |
|-----|-----|-------------|------|------------|----|--------|-------------|------------------|----------------|-------|-------|
| 00  |     |             | 袁路易  | 2022.08.01 | A4 | (inch) | 200022081   | CUSTOMER DRAWING | 已发布            | 2:1   | 1/1   |

Transfer or duplication of this document as well as the utilization or communication of its content are prohibited unless authorized in writing by DEGSON. All rights reserved for patent, utility model or design registrations. 除专利、实用新型、外观设计、商标、注册、著作权等文件外，其他文件均受法律保护。未经授权，不得复制或传播。 0.75mm