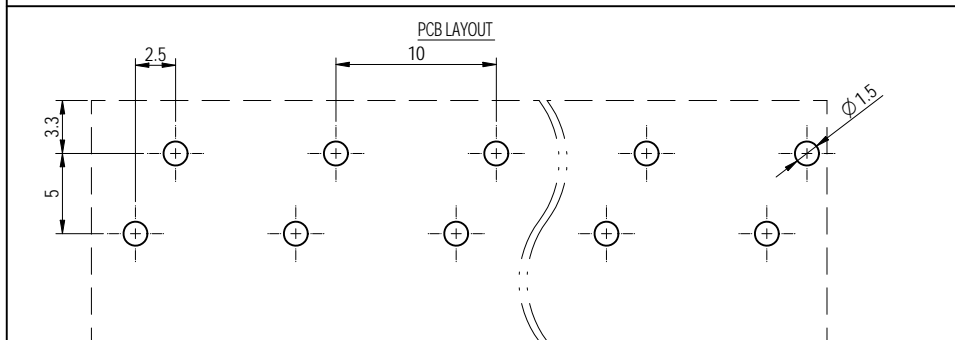
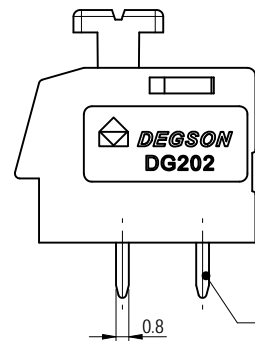
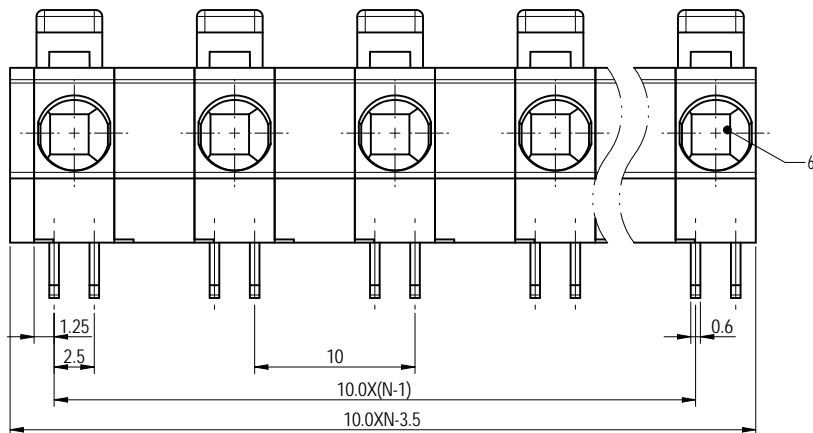
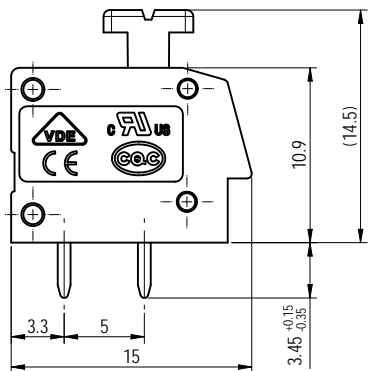
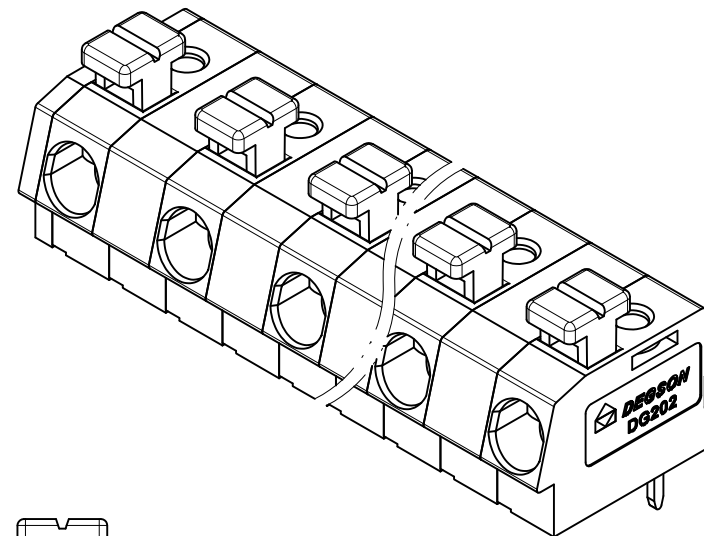
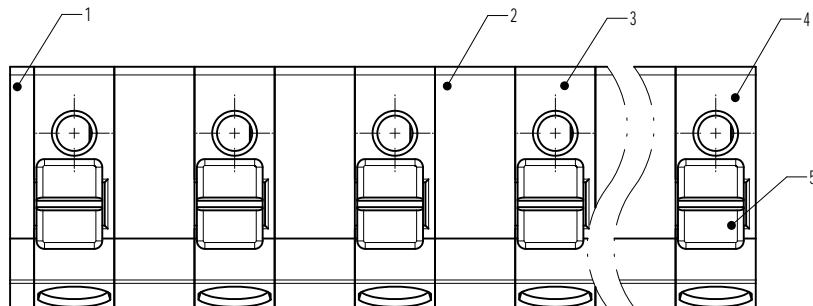


公差/General tolerances (mm)											$\frac{\Delta}{0.1/10}$			
0	>3	>6	>10	>18	>30	>50	>80	>120	>180	>250	>315	>400	>500	±2
~	~	~	~	~	~	~	~	~	~	~	~	~	~	
±0.12	±0.18	±0.22	±0.26	±0.31	±0.37	±0.57	±0.80	±0.93	±1.05	±1.15	±1.60	±2.20	±2.50	



Note:
The A&Z(H) in the name means: A(H) and Z(H).

ITEM	NAME OF PART	MATERIAL	NOTES
7	Pin header	Copper	Sn plated
6	Spring	Stainless steel	/
5	Button	PA66	UL94V-0
4	Left housing	PA66	UL94V-0
3	Center housing	PA66	UL94V-0
2	Clapboard	PA66	UL94V-0
1	Cover	PA66	UL94V-0

UL 标准/UL Standard:	B	C	D
额定电压/电流/Rated Voltage(V)/Current(A)	300/12	/	300/10
IEC 标准/IEC Standard:			
过压类别/Overvoltage Category/污染等级/Pollution Degree	III/3	III/2	II/2
额定电压/电流/Rated Voltage(V)/Current(A)	/	750/16	/
工频耐压/Withstanding Voltage(V/Min)	/	AC3000	/
线径范围(硬线和软线)/Wire Range(rigid and flexible)(AWG/mm ²)	20~12 / 0.2~2.5		
间距/Pitch(mm)/线数范围/Poles	10.0/N=02~12P		
剥线长度/Stripping length(mm)	10~11		
使用温度范围/Operating temperature(°C)	-40~+105		
符合RoHS环保要求/Conform to RoHS	Yes		

DEGSON		MATERIAL:	SURFACE/COLOR:		
APPD: 兰春华	2023.02.02	MAT NO./REV:	/ 00	MAT STATUS:	批量
CHKD: 陈超	2023.02.02	NAME: DG202-10.0-XXP-1Y-00A&Z(H)			
DRFT: 姜徐涛	2023.02.02	DRAWING NO.	TYPE	DRAWING STATUS	SCALE
		200029447	CUSTOMER DRAWING	已发布	1:1
00	REV	ECN	DESCRIPTION	DATE	SHEET
				2023.02.02	1/1

Transfer or duplication of this document as well as the utilization of its contents without the written consent of DEGSON is prohibited. All rights reserved for patent. 未经授权复制或传播本文件以及其内容的使用，未经 DEGSON 书面许可，是严格禁止的。保留所有权利，专利正在申请中。