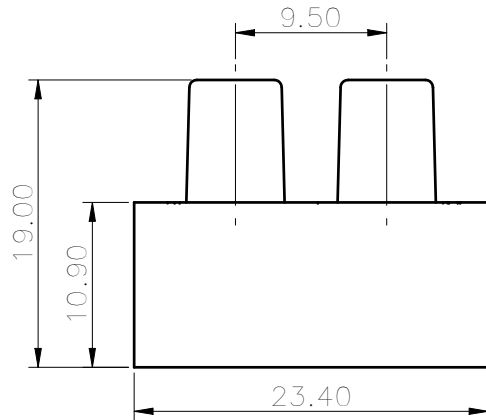
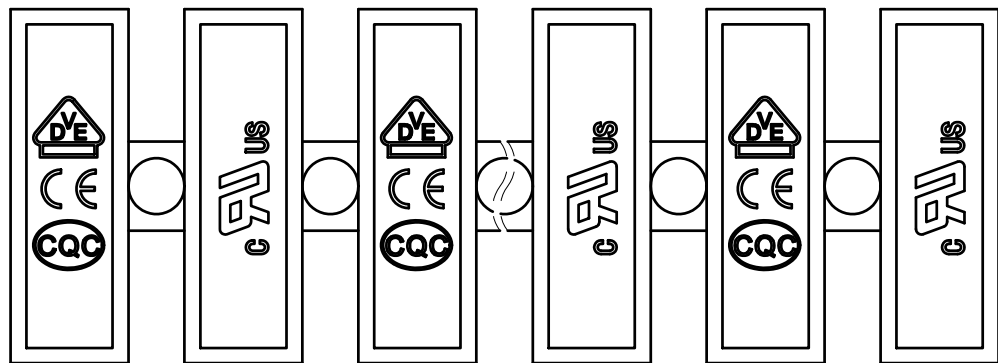
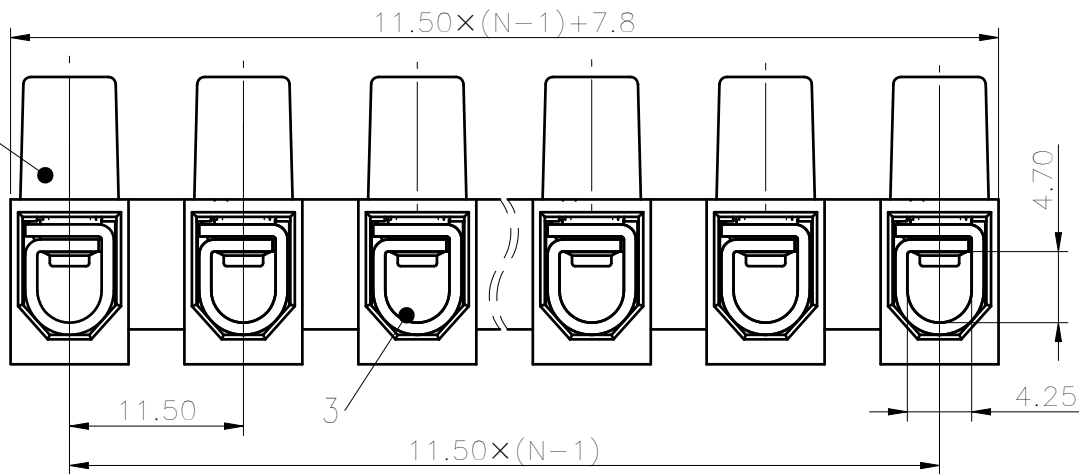
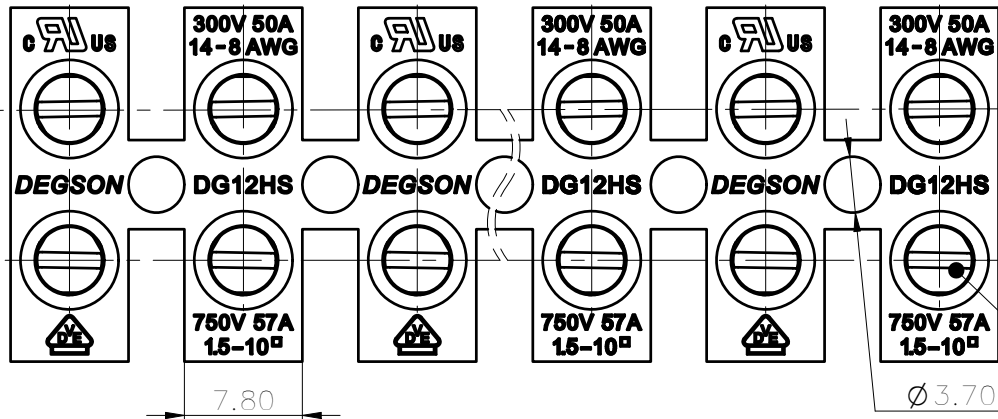


未注公差/General tolerances(mm)											0.1/10		
0	>3	>6	>10	>18	>30	>50	>80	>120	>180	>250		>315	>400
±0.12	±0.18	±0.22	±0.26	±0.31	±0.37	±0.57	±0.80	±0.93	±1.05	±1.15	±1.60	±2.20	±2.50



Note: The A&Z(H) in the name means: A(H) and Z(H).

ITEM	NAME OF PART	MATERIAL	NOTES
3	Current carrier	Steel	Zn plated
2	Screw	Steel	Zn Plated/M3.5
1	Housing	PA66	UL94V-2

UL 标准/UL Standard:	B	C	D
额定电压/电流/Rated Voltage(V)/Current(A)	300/50	/	300/10
IEC 标准/IEC Standard:			
额定电压/电流/Rated Voltage(V)/Current(A)	750/57		
螺丝扭矩/Torque Tightening(N·m/Lb.in)	M3.5 0.8/7.08		
线径范围(硬线和软线)/Wire Range(rigid and flexible)(AWG/mm²)	14~8/1.5~10		
间距/Pitch(mm)/线数范围/Poles	11.50/N=02~12P		
使用温度范围/Operating temperature(°C)	-40~+105		
符合 RoHS 环保要求/Conform to RoHS	Yes		

DEGSON		MATERIAL:	SURFACE:	
		MAT. NO./REV:	/ 00	
		MAT STATUS: 批量		
APPD: 蓝贵凡	2022.12.19	NAME		
CHKD: 曹利彬	2022.12.19	DG12HS-1.2-XXP-1Y-100A&Z(H)		
DRFT: 孙科豪	2022.12.19	DRAWING NO.	TYPE	DRAWING STATUS
		200014634	CUSTOMER DRAWING	已发布
		SCALE	SHEET	
		2:1	1/1	

REV	ECN	DESCRIPTION	DRFT	DATE
00				

Transfer or duplication of this document as well as the utilization or communication of its contents are prohibited unless express authorization is granted. All rights reserved for patent, utility model or design registrations. 非经书面授权, 复制或传播, 或向第三方提供, 或在本文件内容, 侵犯者将承担法律责任。 本公司保留对涉及发明、实用新型和外观设计的所有权利。