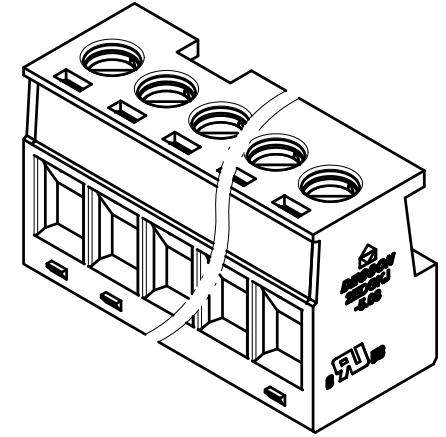
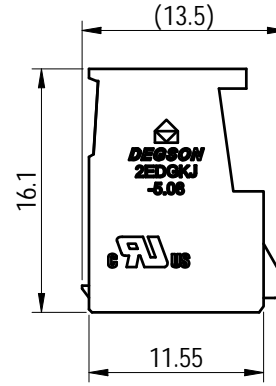
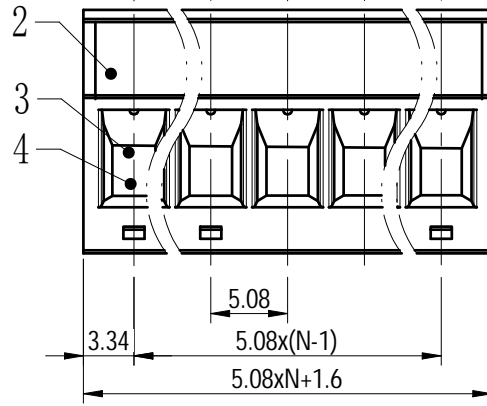
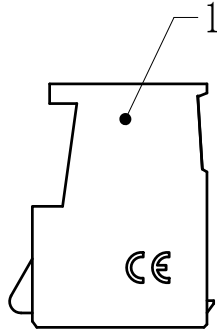
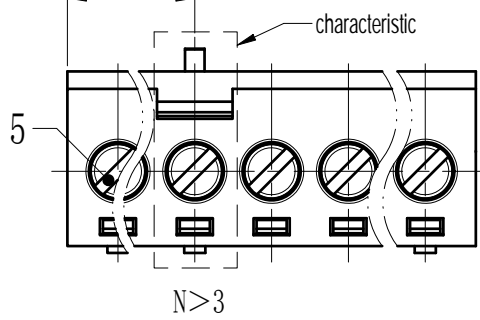


N=even number: $5.08 \times (N/2 - 1) + 3.34$
 N=odd number: $5.08 \times ((N-1)/2 - 1) + 3.34$



未注公差/General tolerances (mm)													0.1/10	
0 ~ 3	>3 ~ 6	>6 ~ 10	>10 ~ 18	>18 ~ 30	>30 ~ 50	>50 ~ 80	>80 ~ 120	>120 ~ 180	>180 ~ 250	>250 ~ 315	>315 ~ 400	>400 ~ 500		>500
±0.12	±0.18	±0.22	±0.26	±0.31	±0.37	±0.57	±0.80	±0.93	±1.05	±1.15	±1.60	±2.20	±2.50	±2'

Note:
 The A&Z(H) in the name means: A(H) and Z(H).

ITEM	NAME OF PART	MATERIAL	NOTES
5	Screw	Steel	M3/Zn Plated
4	Clamp	Copper alloy	Sn Plated
3	Cage	Copper alloy	M3/Ni Plated
2	Cover	PA66	UL94V-0
1	Housing	PA66	UL94V-0

UL 标准/UL Standard:	B	C	D
额定电压/电流/Rated Voltage(V)/Current(A)	300/18	/	300/10
IEC 标准/IEC Standard:			
过压类别/Overvoltage Category/污染等级/Pollution Degree	III/3	III/2	II/2
额定电压/电流/Rated Voltage(V)/Current(A)	250/15	320/15	630/15
额定脉冲电压(KV)/Rate Impulse Voltage(KV)	4	4	4
螺丝扭矩/Torque Tightening(N·m/Lb.in)	M3, 0.6/5.3		
线径范围(硬线和软线)/Wire Range(rigid and flexible)(AWG/mm²)	30~12 / 0.2~2.5		
间距/Pitch(mm)/线数范围/Poles	5.08/N=02~24P		
剥线长度/Stripping length(mm)	7		
使用温度范围/Operating temperature(°C)	-40~+105		
符合RoHS环保要求/Conform to RoHS	Yes		

		MATERIAL:	SURFACE/COLOR:	
APPD: 兰春华 2022.08.15		MAT NO./REV: - / 00	MAT STATUS: 批量	
CHKD: 龚耀志 2022.08.15		NAME: 2EDGKJ-5.08-XXP-1Y-00A&Z(H)		
DRFT: 朱岳鹏 2022.08.12		DRAWING NO. 200103094	TYPE: CUSTOMER DRAWING	DRAWING STATUS: 已发布
SCALE: 2:1	SHEET: 1/1			

REV	ECN	DESCRIPTION	DRFT	DATE
00			朱岳鹏	2022.08.12

Transfer or duplication of this document as well as the utilization or communication of its contents are prohibited unless authorized in writing by the copyright holder. All rights reserved for patent. 除专利号外，其他内容均受法律保护。未经许可，不得复制或传播。如有侵权，必究。如有任何疑问，请联系本公司销售或技术支持部门。