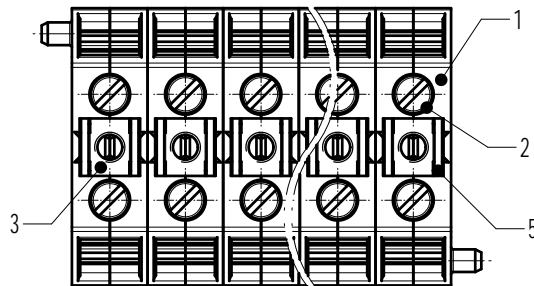
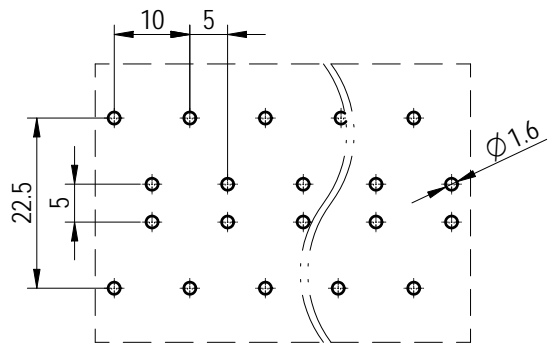
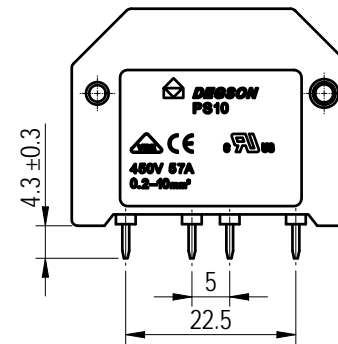
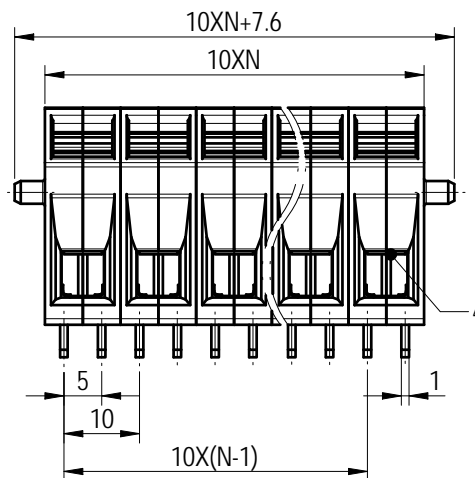
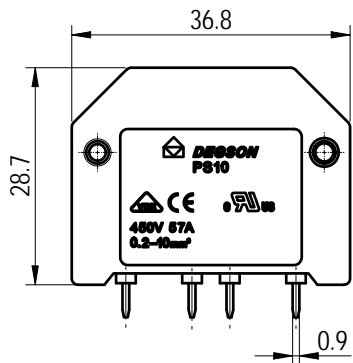


PCB LAYOUT



未注公差/General tolerances (mm)												0.1/10		
0 ~ 3	>3 ~ 6	>6 ~ 10	>10 ~ 18	>18 ~ 30	>30 ~ 50	>50 ~ 80	>80 ~ 120	>120 ~ 180	>180 ~ 250	>250 ~ 315	>315 ~ 400		>400 ~ 500	>500
±0.12	±0.18	±0.22	±0.26	±0.31	±0.37	±0.57	±0.80	±0.93	±1.05	±1.15	±1.60	±2.20	±2.50	±2'

UL 标准/UL Standard:	B	C	D
额定电压/电流/Rated Voltage(V)/Current(A)	300/70	300/70	600/10
IEC 标准/IEC Standard:			
过压类别/Overvoltage Category/污染等级/Pollution Degree	III/3	III/2	II/2
额定电压/电流/Rated Voltage(V)/Current(A)	/	450/57	/
工频耐压/Withstanding voltage(V/1Min)	AC2500		
螺丝扭矩/Torque Tightening(N·m/Lb.in)	M4, 1.2/10.62		
线径范围(硬线和软线)/Wire Range(rigid and flexible)(AWG/mm²)	24~6 / 0.2~10		
间距/Pitch(mm)/线数范围/Poles	10/N=01~12P		
剥线长度/Stripping length(mm)	12~13		
使用温度范围/Operating temperature(°C)	-40~+105		
符合RoHS环保要求/Conform to RoHS	Yes		
5	Cage	Copper	Sn Plated
4	Pressing line plate	Copper alloy	Ni Plated
3	Current Carrier	Copper alloy	M4/Ni Plated
2	Screw	Copper alloy	M4/Ni Plated
1	Housing	PA66	UL94V-0
ITEM	NAME OF PART	MATERIAL	NOTES



		MATERIAL:	SURFACE/COLOR:		
		MAT NO./REV:	MAT STATUS: 批量		
APPD: 兰春华	2024.11.25	NAME			
CHKD: 龚耀志	2024.11.25	PS10-XXP-1Y-10A&Z(H)			
DRFT: 陈兰馨	2024.11.25				
DRAWING NO.	TYPE	DRAWING STATUS	SCALE	SHEET	
200096345	CUSTOMER DRAWING	已发布	2:1	1/1	

REV	ECN	DESCRIPTION	DRFT	DATE
00			陈兰馨	2024.11.25

Transfer or duplication of this document as well as the utilization or communication of its contents are prohibited unless expressly authorized in writing by DEGSON. All rights reserved for patent, utility model or design registrations. 除专利、实用新型、外观设计、商标、注册、软件著作权等权利外，其他权利均归 DEGSON 公司所有。未经 DEGSON 公司书面许可，不得复制或传播本文件内容。