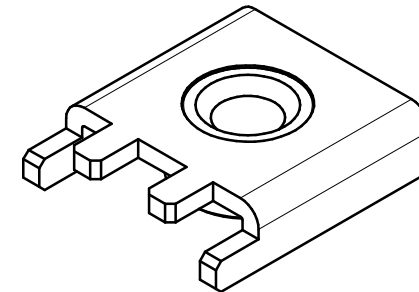
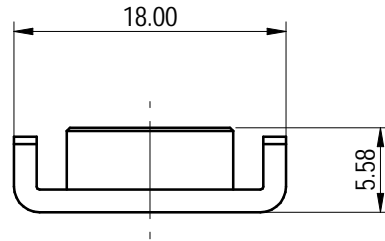
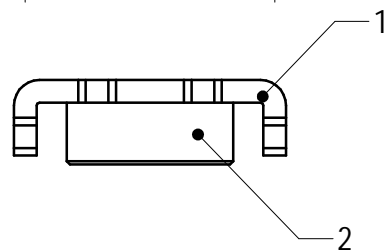
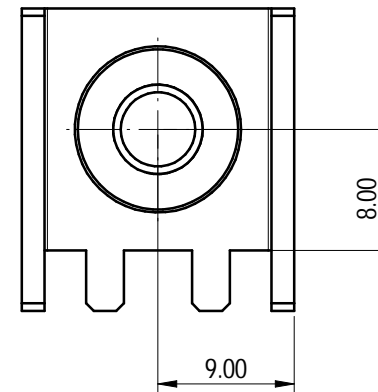
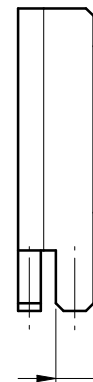
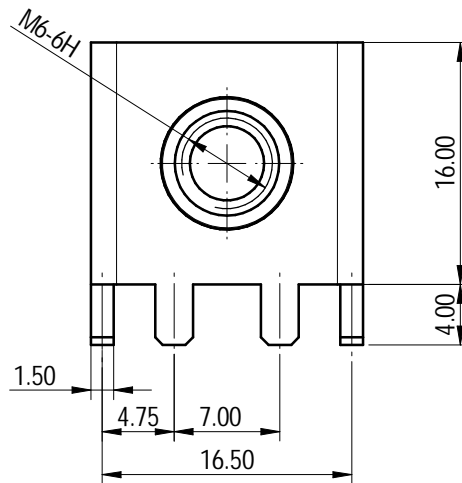
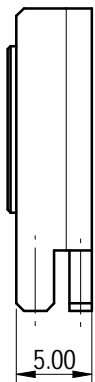


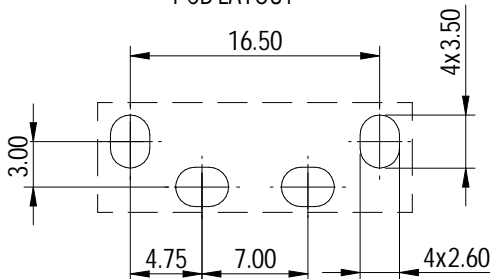
未注公差/General tolerances (mm)												0.1/10		
0 ~ 3	>3 ~ 6	>6 ~ 10	>10 ~ 18	>18 ~ 30	>30 ~ 50	>50 ~ 80	>80 ~ 120	>120 ~ 180	>180 ~ 250	>250 ~ 315	>315 ~ 400		>400 ~ 500	>500
±0.12	±0.18	±0.22	±0.26	±0.31	±0.37	±0.57	±0.80	±0.93	±1.05	±1.15	±1.60	±2.20	±2.50	±2'



Unmarked dimensions refer to 3D model



PCB LAYOUT



ITEM	NAME OF PART	MATERIAL	NOTES
2	Nut	Steel	M6/Zn-Ni plated
1	Pin header	Copper	Sn Plated

螺丝扭矩/Torque Tightening(N · m/Lb.in)	M6, 2.75/24.35
额定电流/Current (A)	110
符合 RoHS 环保要求/Conform to RoHS	Yes

<b>DEGSON</b>		MATERIAL: /	SURFACE/COLOR: /	
APPD: 蓝贵凡	2023.07.21	MAT NO./REV: 10900000261 / 00.01	MAT STATUS: 批量	
CHKD: 曹利彬	2023.07.21	NAME: K146-00A(H)		
DRFT: 汪德荣	2023.07.21	DRAWING NO. 200205570	TYPE: CUSTOMER DRAWING	DRAWING STATUS: 已发布
REV: 00	ECN: /	DESCRIPTION: /	DRFT: 汪德荣	DATE: 2023.07.21
SCALE: 2:1	SHEET: 1/1			

Transfer or duplication of this document as well as the utilization or communication of its contents are prohibited unless authorized in general. Violations will be treated for compensation. All rights reserved for patent. Utility model or design registrations. 除专利等明确标注外，其他标注均不作为权利保留。 除专利等明确标注外，其他标注均不作为权利保留。 除专利等明确标注外，其他标注均不作为权利保留。