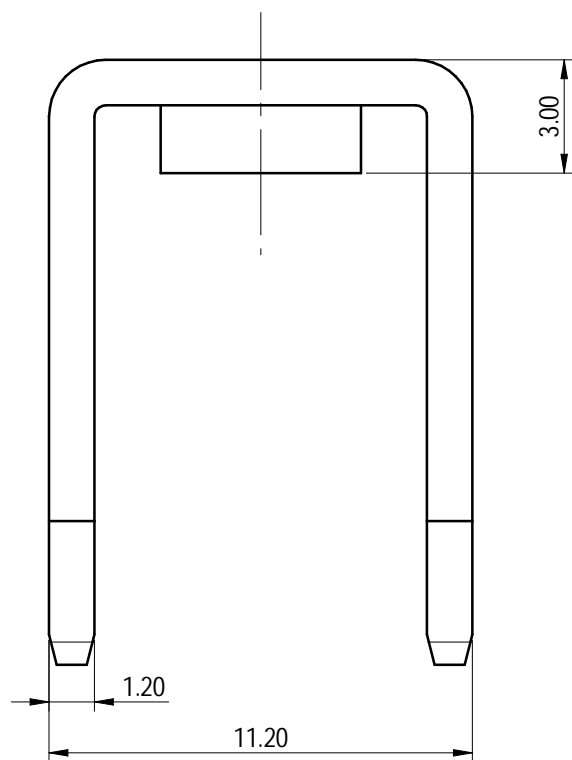
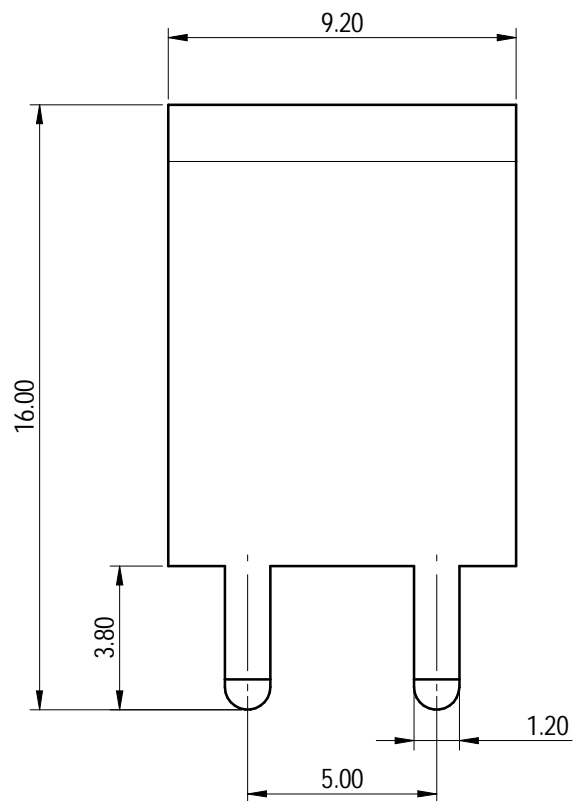
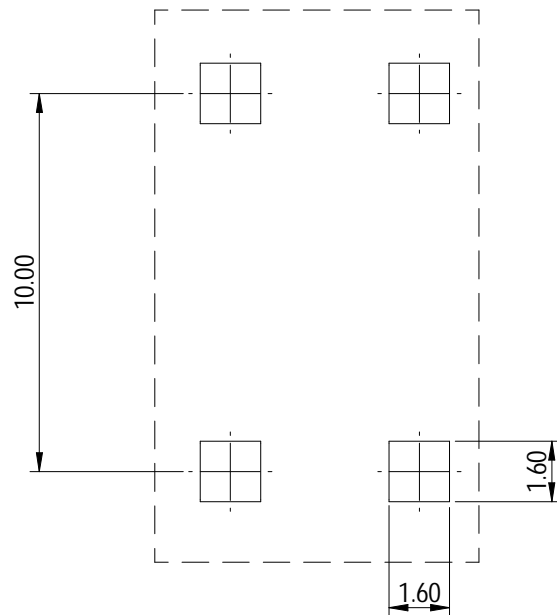
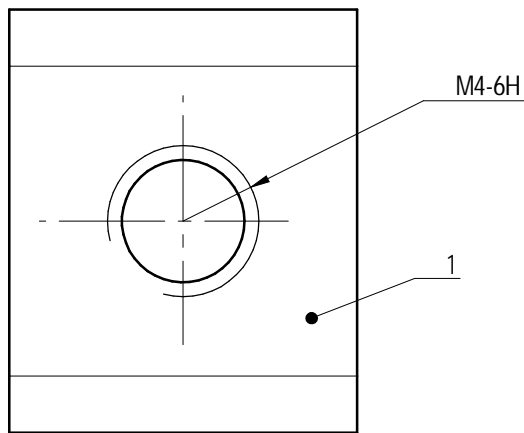


未注公差/General tolerances (mm)												0.1/10 ±2'		
0 ~ 3	>3 ~ 6	>6 ~ 10	>10 ~ 18	>18 ~ 30	>30 ~ 50	>50 ~ 80	>80 ~ 120	>120 ~ 180	>180 ~ 250	>250 ~ 315	>315 ~ 400		>400 ~ 500	>500
±0.12	±0.18	±0.22	±0.26	±0.31	±0.37	±0.57	±0.80	±0.93	±1.05	±1.15	±1.60	±2.20	±2.50	

PCB LAYOUT



Note: The A&Z(H) in the name means :A(H) and Z(H).

ITEM	NAME OF PART	MATERIAL	NOTES
1	Pin header	Copper alloy	M4/Sn Plated
		UL 额定电流/ Current	50A
		重点管控符号/Key controlled symbol	*
		螺丝扭矩/Tightening torque(N·m/Lb.in)	M4. 1.32/12.00



MATERIAL: /	SURFACE/COLOR: /
MAT NO./REV: - / 00	MAT STATUS: /

APPD: 核准人	核准日期	NAME
CHKD: 审核人	审核日期	K91-00A&Z(H)

REV	ECN	DESCRIPTION	DRFT	DATE	DRAWING NO.	TYPE	DRAWING STATUS	SCALE	SHEET
00	/	/	/	/	200114875	CUSTOMER DRAWING	已发布	1:1	1/1

Transfer or duplication of this document as well as the utilization or communication of its contents are prohibited unless explicit authorization is granted. Violations will be liable for compensation. All rights reserved for patent. 复制或再行使用本文件以及其内容之利用或沟通均须经本公司书面同意，否则即属侵权行为。本公司保留所有权利。未经许可，不得复制或再行使用本文件。