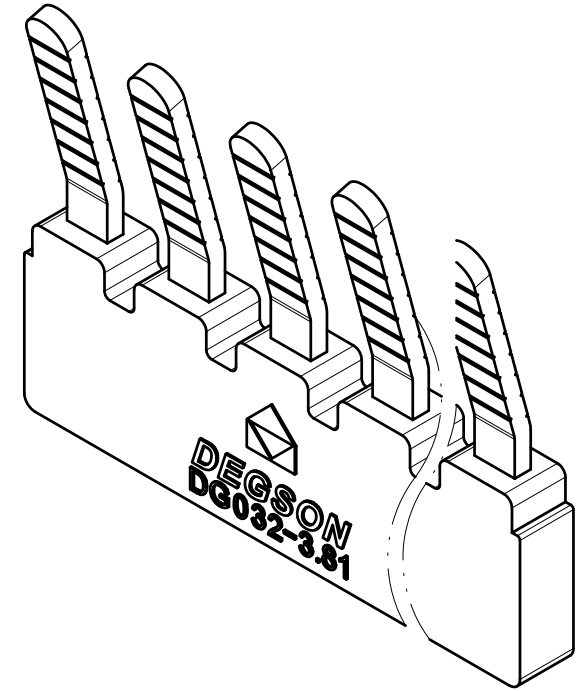
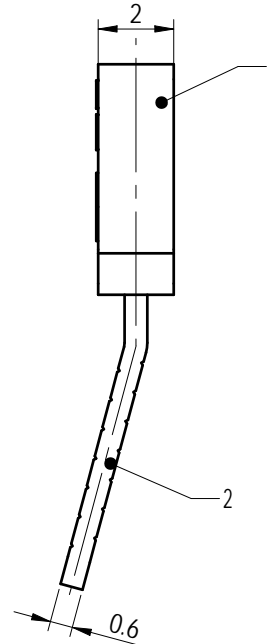
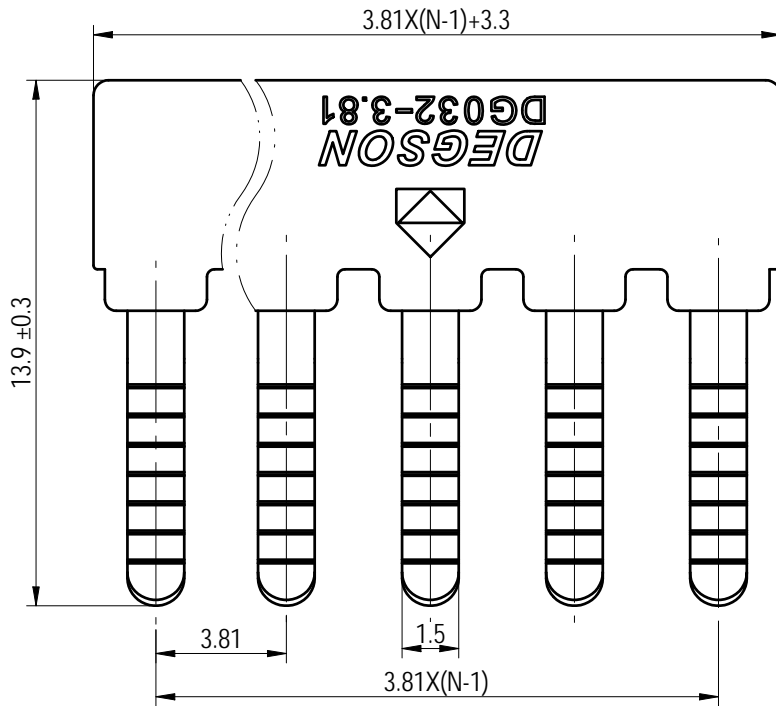
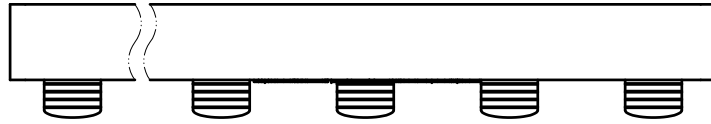


未注公差/General tolerances (mm)													0.1/10 ±2'	
0 ~ 3	>3 ~ 6	>6 ~ 10	>10 ~ 18	>18 ~ 30	>30 ~ 50	>50 ~ 80	>80 ~ 120	>120 ~ 180	>180 ~ 250	>250 ~ 315	>315 ~ 400	>400 ~ 500		>500
±0.12	±0.18	±0.22	±0.26	±0.31	±0.37	±0.57	±0.80	±0.93	±1.05	±1.15	±1.60	±2.20	±2.50	



ITEM	NAME OF PART	MATERIAL	NOTES
2	Current_carrier	Copper alloy	Sn Plated
1	Housing	PA66	UL94V-0

额定电流/Rated Current(A)	8
间距/Pitch(mm)/线数范围/Poles	3.81/N=02~10P
使用温度范围/Operating temperature(°C)	-40~+105
符合RoHS环保要求/Conform to RoHS	Yes
标准颜色编号/Standard color number: PANTONE / RAL	/

APPD: 兰春华	2022.10.27
CHKD: 龚耀志	2022.10.27
DRFT: 方哲盛	2022.10.27

MATERIAL: PA66	SURFACE/COLOR:
MAT NO./REV: / 01	MAT STATUS: 批量

NAME DG032-3.81-XXP-1Y-00A&Z(H)				
DRAWING NO. 200019507	TYPE CUSTOMER DRAWING	DRAWING STATUS 已发布	SCALE 5:1	SHEET 1/1

REV	ECN	DESCRIPTION	DRFT	DATE
00			方哲盛	2022.10.27

Transfer or duplication of this document as well as the utilization or communication of its contents are prohibited unless authorized in writing by DEGSON. All rights reserved for patent. 除专利注明情况外，否则禁止转让、复制、引用、或在本文件外传播。 未经书面许可，不得复制或在本文件外传播。