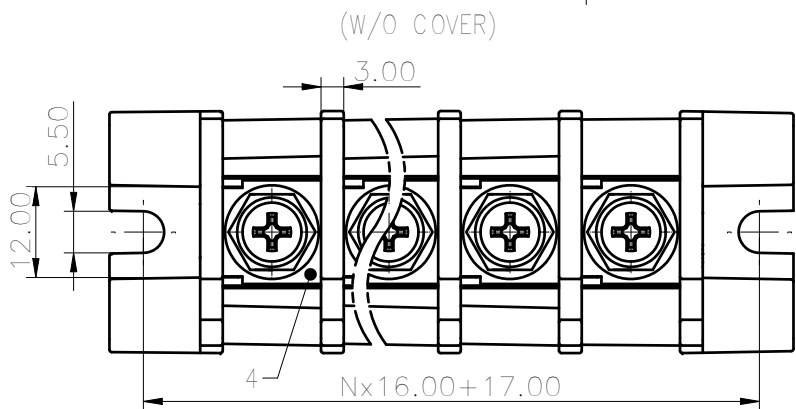
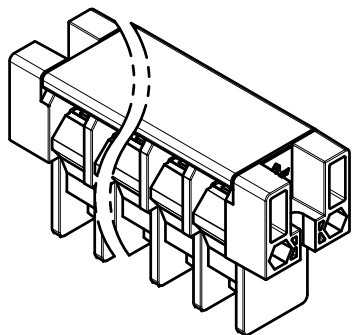
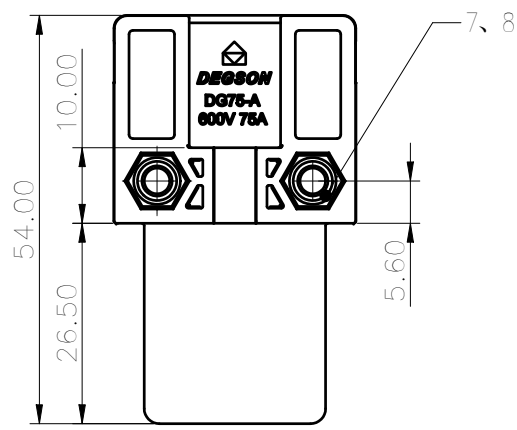
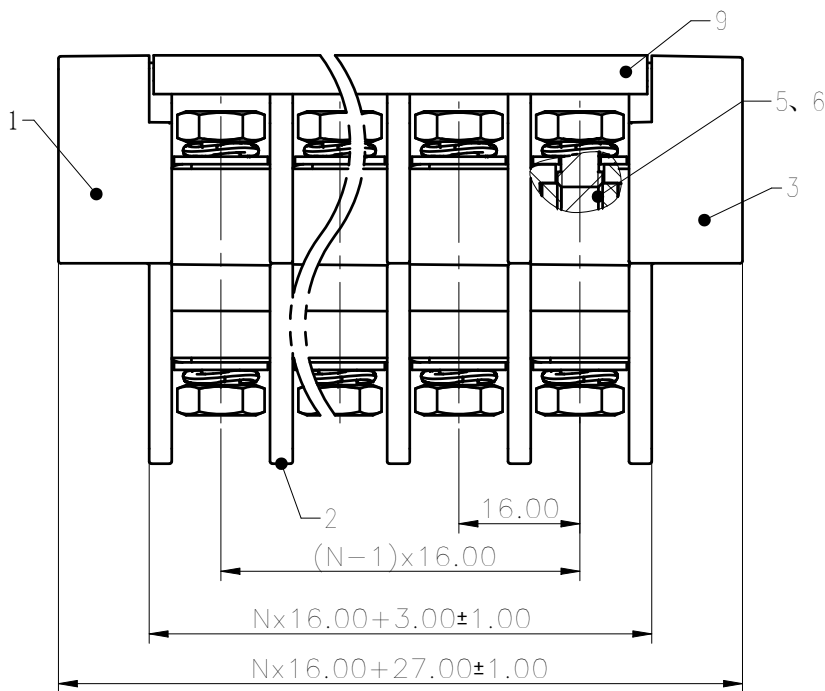
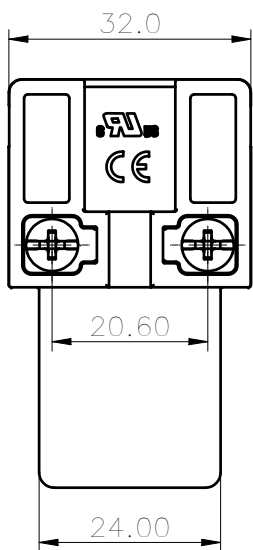


Transfer or duplication of this document as well as the utilization or communication of its contents are prohibited unless express authorization is granted. Degson will be liable for compensation. All rights reserved for patent, utility model or design registrations. 非经书面明确授权, 否则禁止转让、复制、利用、交加本文件的内容。一经发现侵权, 立即停止侵权, 侵权者将承担法律责任。本公司保留对涉及发明、实用新型和外观设计的所有权利。



未注公差/General tolerances(mm)											0.1/10		
0	>3	>6	>10	>18	>30	>50	>80	>120	>180	>250		>315	>400
~3	~6	~10	~18	~30	~50	~80	~120	~180	~250	~315	~400	~500	~500
±0.12	±0.18	±0.22	±0.26	±0.31	±0.37	±0.57	±0.80	±0.93	±1.05	±1.15	±1.60	±2.20	±2.50

UL 标准/UL Standard:	B	C	D
额定电压/电流/Rated Voltage(V)/Current(A)	600/75	600/75	600/5
IEC 标准/IEC Standard:			
过压类别/Overvoltage Category/污染等级/Pollution Degree	III/3	III/2	II/2
额定电压/电流/Rated Voltage(V)/Current(A)	1000/75	1000/75	1000/75
额定脉冲电压(KV)/Rate Impulse Voltage(KV)	8	8	8
螺丝扭矩/Torque Tightening(N·m/Lb.in)	M6, 5.0/44.27		
线径范围(硬线和软线)/Wire Range(rigid and flexible)(AWG/mm²)	22~4 / 16~25		
间距/Pitch(mm)/线数范围/Poles	16.00/N=01~12P		
剥线长度/Stripping length(mm)	12~13		
使用温度范围/Operating temperature(°C)	-40~+120		
符合 RoHS 环保要求/Conform to RoHS	Yes		



Note: The A&Z(H) in the name means: A(H) and Z(H).

ITEM	NAME OF PART	MATERIAL	NOTES
9	Cover	PC	UL94V-2
8	Nut2	Steel	Zn plated/M4
7	Screw2	Steel	Zn plated/M4
6	Nut1	Steel	Ni plated/M6
5	Screw1	Steel	Ni plated/M6
4	Current_carrier	Copper alloy	Ni plated
3	Right cover	PBT	UL94V-0
2	Housing	PBT	UL94V-0
1	Left cover	PBT	UL94V-0

		MATERIAL:	SURFACE/COLOR:	
		MAT NO./REV:	/ 00	MAT STATUS: 批量
APPD: 彭敏	2024.11.25	NAME		
CHKD: 曹利彬	2024.11.25	DG75-A-XXP-1Y-00A&Z(H)		
DRPT: 委民洁	2024.11.25	DRAWING NO.	TYPE	DRAWING STATUS
		200054493	CUSTOMER DRAWING	已发布
		SCALE	SHEET	
		1:1	1/1	

REV	ECN	DESCRIPTION	DRFT	DATE
00				