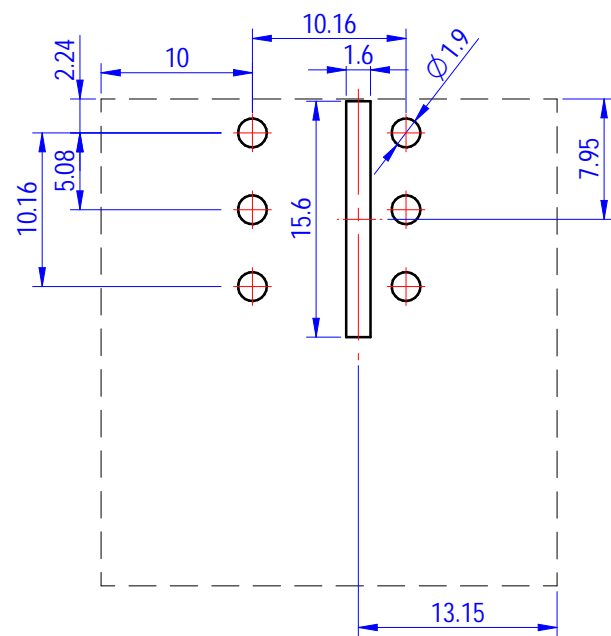
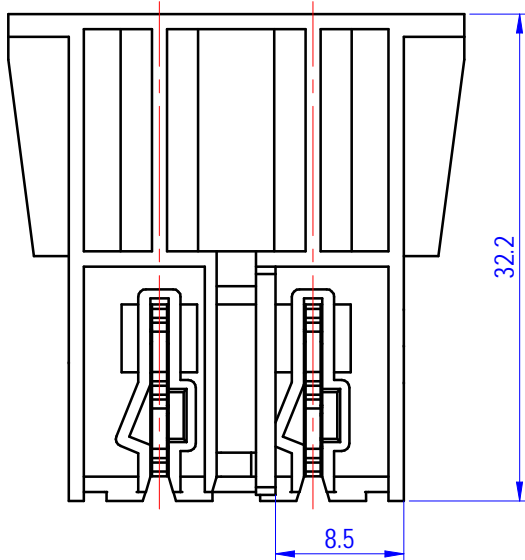
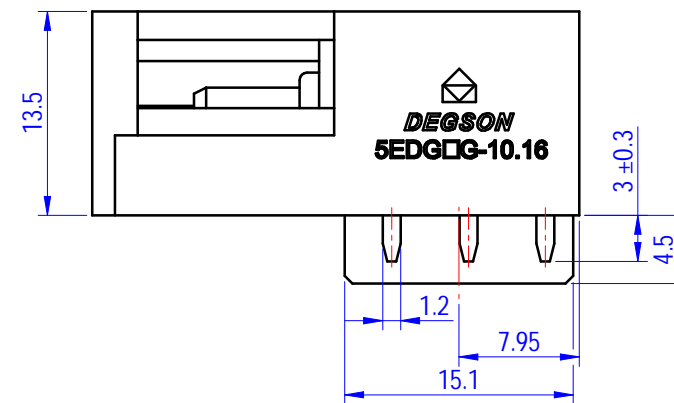
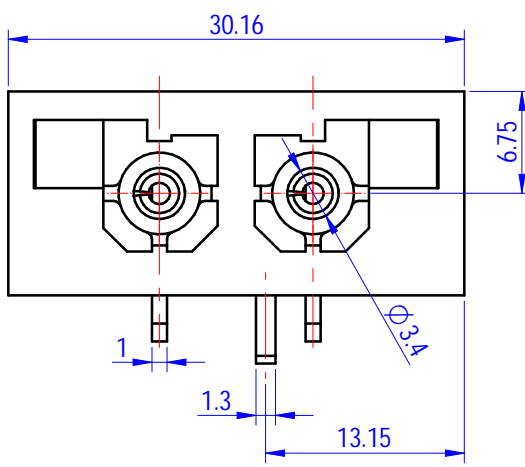
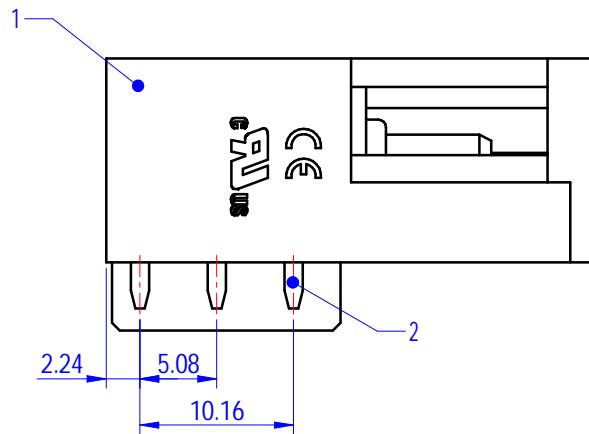
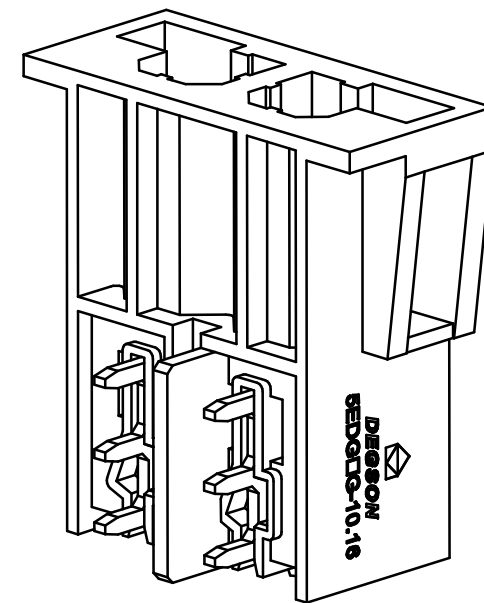
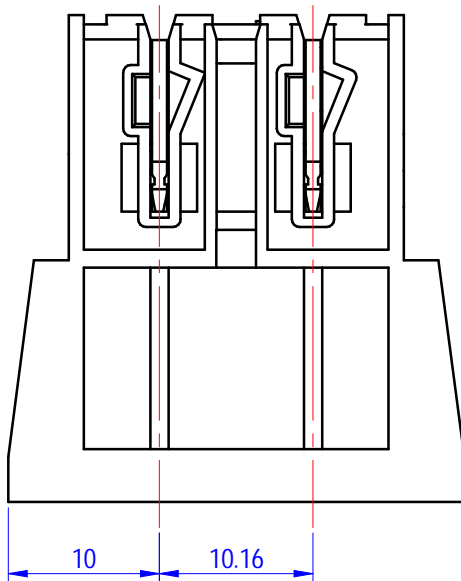


### PCB LAYOUT



未注公差/General tolerances (mm)														
0	>3	>6	>10	>18	>30	>50	>80	>120	>180	>250	>315	>400	>500	0.1/10
~3	~6	~10	~18	~30	~50	~80	~120	~180	~250	~315	~400	~500	~500	±2'
±0.12	±0.18	±0.22	±0.26	±0.31	±0.37	±0.57	±0.80	±0.93	±1.05	±1.15	±1.60	±2.20	±2.50	



ITEM	NAME OF PART	MATERIAL	NOTES	
2	Pin header	Copper	Sn Plated	
1	Housing	PA66	UL94V-0	
UL 标准/UL Standard:		B	C	D
额定电压/电流/Rated Voltage(V)/Current(A)		600/52	600/52	/
IEC 标准/IEC Standard:				
过压类别/Overvoltage Category/污染等级/Pollution Degree		III/3	III/2	II/2
额定电压/电流/Rated Voltage(V)/Current(A)		600/57	/	/
额定脉冲电压(KV)/Rate Impulse Voltage(KV)		6	/	/
使用温度范围/Operating temperature(°C)		-40~+105		
符合RoHS环保要求/Conform to RoHS		Yes		

<b>DEGSON</b>		MATERIAL:	SURFACE/COLOR:		
APPD: 兰春华	2024.01.04	MAT NO./REV: 10020000938-1 / 00	MAT STATUS: 批量		
CHKD: 龚耀志	2024.01.02	NAME: 5EDGRG-10.16-02P-14-200A&Z(H)			
DRAFT: 方哲盛	2024.01.02	DRAWING NO. 200032764	TYPE: CUSTOMER DRAWING	DRAWING STATUS: 已发布	SCALE: 1:1
REV: 00	ECN:	DESCRIPTION:	DRAFT: 方哲盛	DATE: 2024.01.02	SHEET: 1/1

Transfer or duplication of this document as well as the utilization or communication of its contents are prohibited unless explicit authorization is granted. Violations will be liable for compensation. All rights reserved for patent. 复制或再行传播此文件以及其内容之利用或沟通均须经本公司明确书面授权。未经授权擅自复制或传播者，本公司保留追究法律责任。 侵权必究。