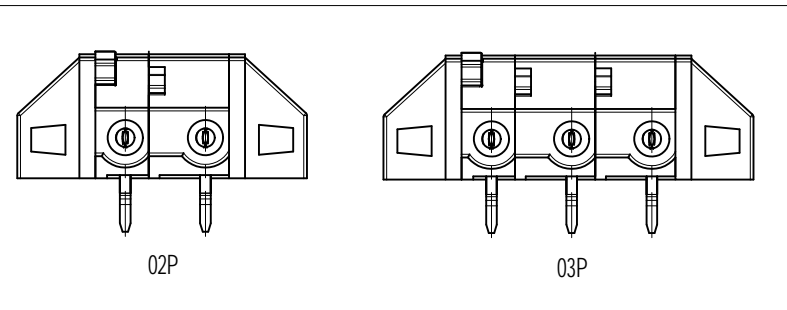
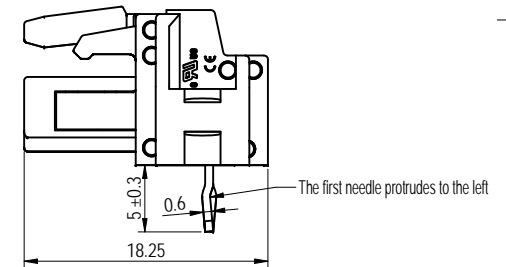
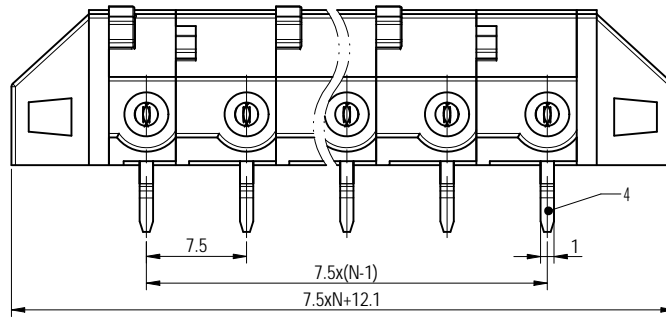
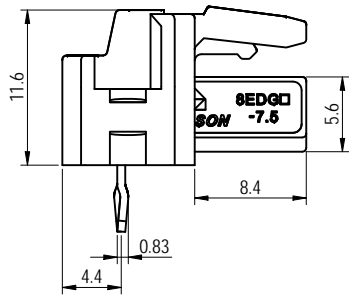
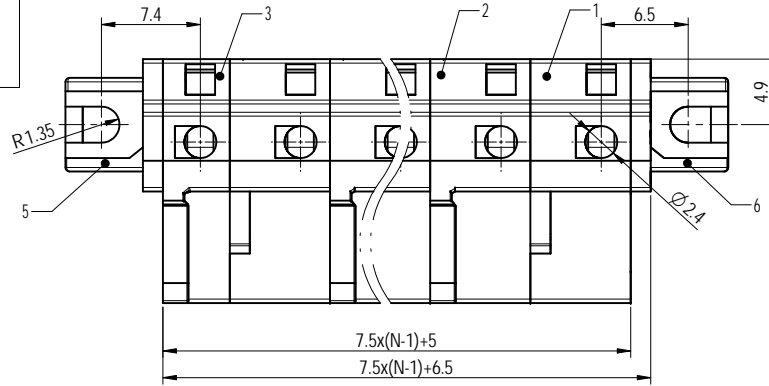
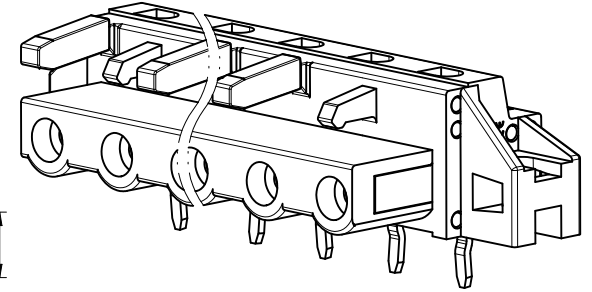


Notes: Pin headers should be bent after assembled

公差范围 (General tolerances in mm)													D	
0	>3	>6	>10	>18	>30	>50	>80	>120	>180	>250	>315	>400	>500	0.1/10
±0.12	±0.18	±0.22	±0.26	±0.31	±0.37	±0.57	±0.80	±0.93	±1.05	±1.15	±1.60	±2.20	±2.50	±2



UL 标准/UL Standard:	B	C	D
额定电压/电压/Rated Voltage(V)/Current(A)	300/15	/	300/10
IEC 标准/IEC Standard:			
过压类别/Overvoltage Category/污染等级/Pollution Degree	III/3	III/2	II/2
额定电压/电压/Rated Voltage(V)/Current(A)	320/20	/	/
额定脉冲电压(KV)/Rate Impulse Voltage(KV)	4	/	/
间距/Pitch(mm)/线数范围/Poles	7.5/N=02~12P		
使用温度范围/Operating temperature(°C)	-40~+105		
符合RoHS环保要求/Conform to RoHS	Yes		

ITEM	NAME OF PART	MATERIAL	NOTES
6	Right housing	PA66	UL94V-0
5	Left housing	PA66	UL94V-0
4	Clamp	Copper	Sn Plated
3	Side Housing	PA66	UL94V-0
2	Housing 2	PA66	UL94V-0
1	Housing 1	PA66	UL94V-0

DEGSON MATERIAL: SURFACE/COLOR: PANTONE 7534U
 APPD: 兰春华 2024.12.05 NAME: 8EDGAM-7.5-XXP-11-01A&Z(H)
 CHKD: 袁耀志 2024.12.05
 DRFT: 方哲盛 2024.12.05
 DRAWING NO. 200322838 TYPE CUSTOMER DRAWING DRAWING STATUS 已发布 SCALE 2.5:1 SHEET 1/1

REV	ECN	DESCRIPTION	DRFT	DATE
00			方哲盛	2024.12.05

Transfer or duplication of this document as well as the utilization of its contents without the written permission of DEGSON is prohibited. All rights reserved for patent. 未经授权复制或传播本文件及其内容，或未经许可使用其内容，均属侵权行为。DEGSON 保留所有权利。未经许可，不得复制或传播本文件及其内容。