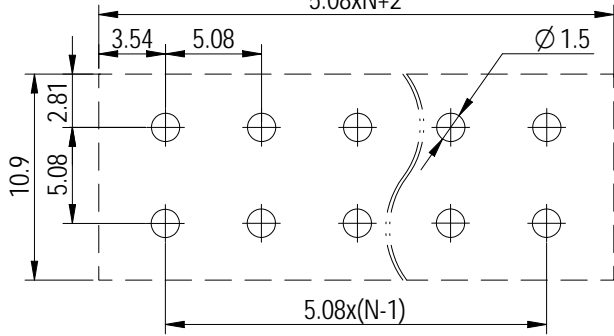
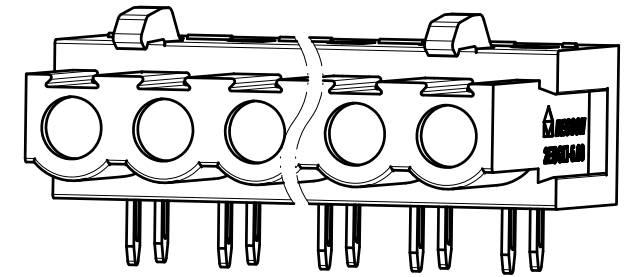
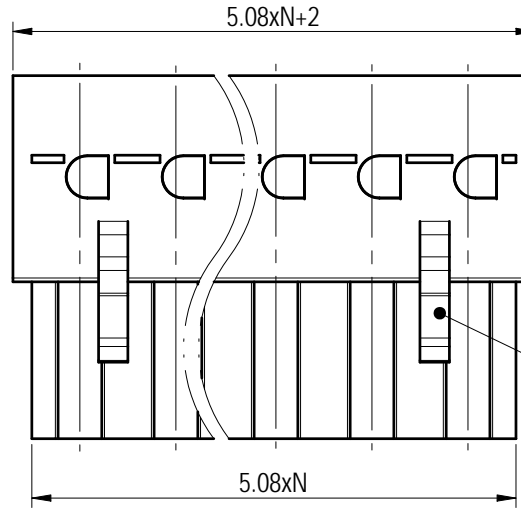


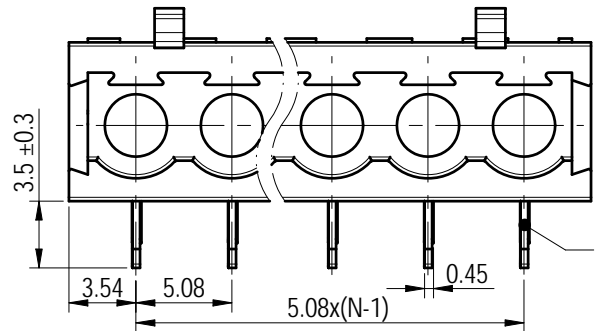
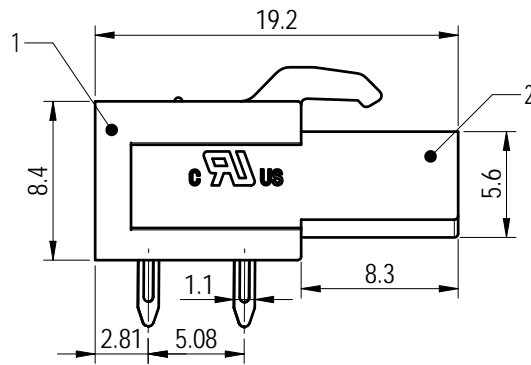
PCB LAYOUT



未注公差/General tolerances (mm)													0.1/10 ±2'
0	>3	>6	>10	>18	>30	>50	>80	>120	>180	>250	>315	>400	
±0.12	±0.18	±0.22	±0.26	±0.31	±0.37	±0.57	±0.80	±0.93	±1.05	±1.15	±1.60	±2.20	±2.50



02P: Clasp on the right from this view



Note:  
The A&Z (H) in the name means: A (H) and Z (H).

ITEM	NAME OF PART	MATERIAL	NOTES
3	Cover	PA66	UL94V-0
2	Clamp	Copper_alloy	Sn Plated
1	Housing	PA66	UL94V-0

UL 标准/UL Standard:	B	C	D
额定电压/电流/Rated Voltage(V)/Current(A)	300/15	/	300/10
IEC 标准/IEC Standard:			
过压类别/Overvoltage Category/污染等级/Pollution Degree	III/3	III/2	II/2
额定电压/电流/Rated Voltage(V)/Current(A)	/	320/20	/
额定脉冲电压(KV)/Rate Impulse Voltage(KV)	/	4	/
间距/Pitch(mm)/线数范围/Poles	5.08/N=02~24P		
使用温度范围/Operating temperature(°C)	-40~+105		
符合RoHS环保要求/Conform to RoHS	Yes		
标准颜色编号/Standard color number: PANTONE / RAL	/		



APPD: 兰春华	2022.11.09
CHKD: 龚耀志	2022.11.09
DRFT: 方哲盛	2022.11.09

MATERIAL:	SURFACE/COLOR:		
MAT NO./REV: - / 00	MAT STATUS: 批量		
NAME	2EDGA-5.08-XXP-1Y-00A&Z(H)		
DRAWING NO. 200029819	TYPE CUSTOMER DRAWING	DRAWING STATUS 已发布	SHEET 1/1

00	REV	ECN	DESCRIPTION	DRFT	DATE	方哲盛	2022.11.09
00	REV	ECN	DESCRIPTION	DRFT	DATE	方哲盛	2022.11.09

Transfer or duplication of this document as well as the utilization or communication of its contents are prohibited unless authorized in writing by DEGSON. All rights reserved for patent. 除专利等明确标注外，其他标注均非专利。未经授权，不得复制或传播。 除专利等明确标注外，其他标注均非专利。 除专利等明确标注外，其他标注均非专利。