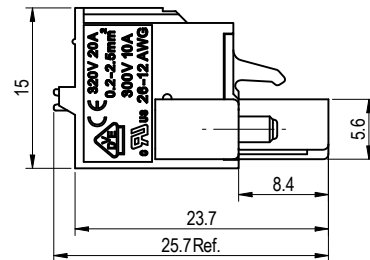
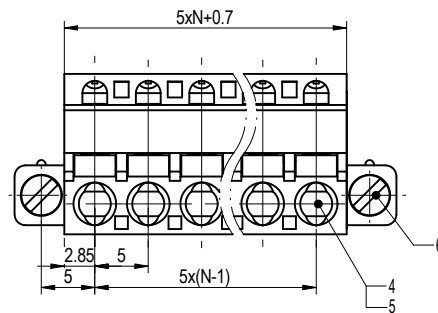
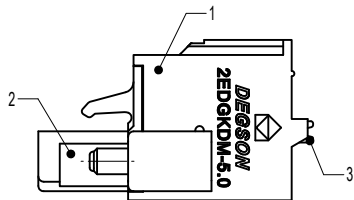
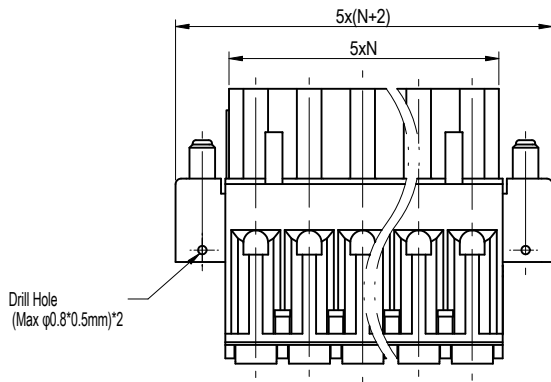
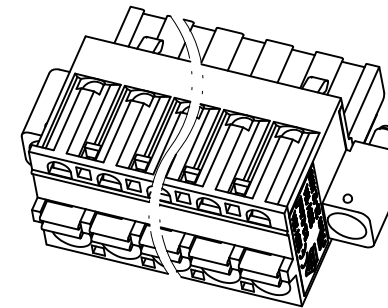


公差表(General tolerances)(mm)													0.1/10	
0	>3	>6	>10	>18	>30	>50	>80	>120	>180	>250	>315	>400	>500	±2
~	~	~	~	~	~	~	~	~	~	~	~	~	~	
±0.12	±0.18	±0.22	±0.26	±0.31	±0.37	±0.57	±0.80	±0.93	±1.05	±1.15	±1.60	±2.20	±2.50	



Note:  
The A&Z(H) in the name means:A(H) and Z(H).

ITEM	NAME OF PART	MATERIAL	NOTES
6	Screw	Steel	M2.5/Zn Plated
5	Spring	Stainless steel	/
4	Clamp	Copper Alloy	Sn Plated
3	Button	PA66	UL94V-0
2	Cover	PA66	UL94V-0
1	Housing	PA66	UL94V-0

UL 标准/UL Standard:	B	C	D
额定电压/电流/Rated Voltage(V)/Current(A)	300/10	7	300/10
IEC 标准/IEC Standard:			
过压类别/Overvoltage Category/污染等级/Pollution Degree	III/3	II/2	II/2
额定电压/电流/Rated Voltage(V)/Current(A)	/	320/20	/
额定脉冲电压(KV)/Rate Impulse Voltage(KV)	/	4	/
螺丝扭矩/Torque Tightening(N·m/Lb.in)	M2.5, 0.4/3.6		
线径范围(硬线和软线)/Wire Range(rigid and flexible)(AWG/mm²)	26~12 / 0.2~2.5		
间距/Pitch(mm)/线数范围/Poles	5.0/N=02~22P		
剥线长度/Stripping length(mm)	9~10		
使用温度范围/Operating temperature(°C)	-40~+105		
符合RoHS环保要求/Conform to RoHS	Yes		
标准颜色编号/Standard color number: PANTONE / RAL	/		



MATERIAL:	SURFACE COLOR:
MAT NO./REV: - / 00	MAT STATUS: 批量

APPD:	NAME:	DRAWING NO.	TYPE	DRAWING STATUS	SCALE	SHEET
兰春华	2EDGKDM-5.0-XXP-1Y-00A&Z(H)	200021149	CUSTOMER DRAWING	已发布	2:1	1/1
CHKD:						
周梅志						
DRFT:						
周梅志						

REV	ECN	DESCRIPTION	DRFT	DATE
00			周梅志	2022.11.09

Transfer or duplication of this document as well as the utilization of its contents without the written permission of the manufacturer is prohibited. All rights reserved for patent. 本文件及其内容之复制或未经许可之使用均受法律保护。所有权利保留。如有侵权，本公司概不承担法律责任。