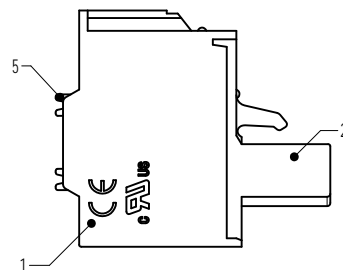
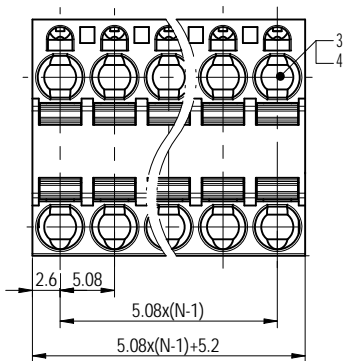
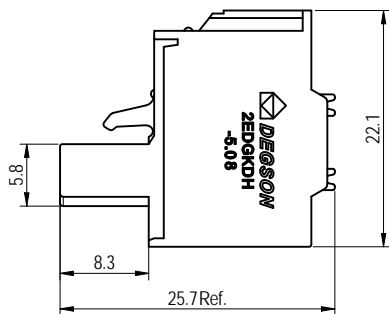
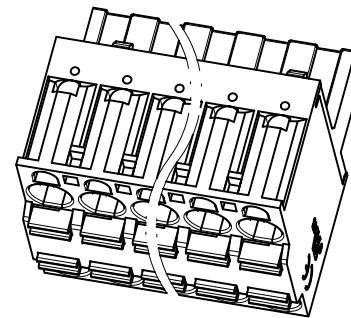
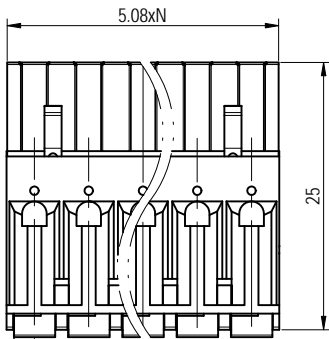


公差/General tolerances (mm)											D 0.1/10		
0	>3	>6	>10	>18	>30	>50	>80	>120	>180	>250			
~	~	~	~	~	~	~	~	~	~	~	>400	>500	
±0.12	±0.18	±0.22	±0.26	±0.31	±0.37	±0.57	±0.80	±0.93	±1.05	±1.15	±1.60	±2.20	±2.50



Note:
The A&Z (H) in the name means: A (H) and Z (H).

ITEM	NAME OF PART	MATERIAL	NOTES
5	Button	PA66	UL94V-0
4	Spring	Stainless Steel	/
3	Clamp	Copper alloy	Sn Plated
2	Cover	PA66	UL94V-0
1	Housing	PA66	UL94V-0

UL 标准/UL Standard:	B	C	D
额定电压/电流/Rated Voltage(V)/Current(A)	300/12	/	300/10
IEC 标准/IEC Standard:			
过压类别/Overvoltage Category/污染等级/Pollution Degree	III/3	III/2	II/2
额定电压/电流/Rated Voltage(V)/Current(A)	250/12	320/12	630/12
额定脉冲电压(KV)/Rate Impulse Voltage(KV)	4	4	4
线径范围(硬线和软线)/Wire Range(rigid and flexible)(AWG/mm ²)	26~12 / 0.2~2.5		
间距/Pitch(mm)/线数范围/Poles	5.08/N=02~24P		
剥线长度/Stripping length(mm)	9~10		
使用温度范围/Operating temperature(°C)	-40~+105		
符合RoHS环保要求/Conform to RoHS	Yes		

DIOSON MATERIAL: SURFACE/COLOR:
MAT NO./REV: - / 00 MAT STATUS: 批量

NAME: 2EDGKDH-5.08-XXP-1Y-00A&Z(H)

APPD: 兰春华	2022.11.11	DRAWING NO. 200021141	TYPE CUSTOMER DRAWING	DRAWING STATUS 已发布	SCALE 1:1	SHEET 1/1
CHKD: 姜耀志	2022.11.10					
DRFT: 周伟德	2022.11.10					

REV	ECN	DESCRIPTION	DRFT	DATE
00			周伟德	2022.11.10

Transfer or duplication of this document as well as the utilization of its contents without the written permission of the manufacturer is prohibited. 复制或再行使用本文件以及其内容之利用，须经本厂之书面同意。未经许可复制或再行使用本文件者，将受到法律之追究。 All rights reserved for patent.