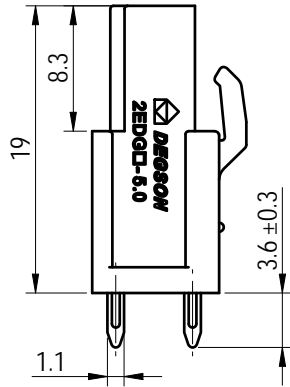
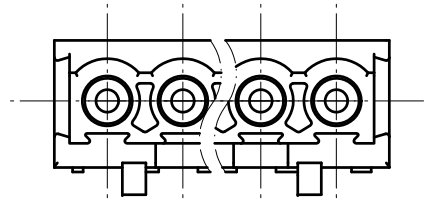
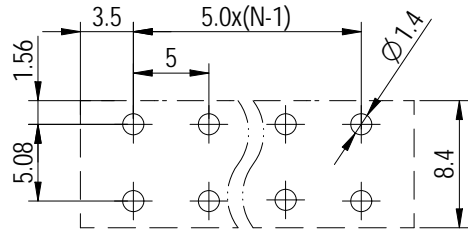
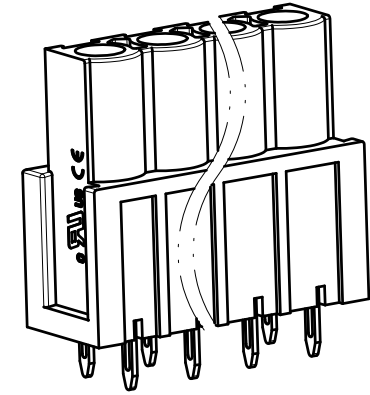
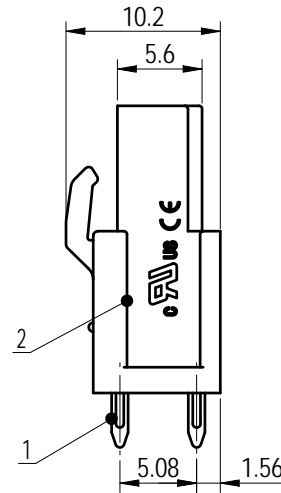
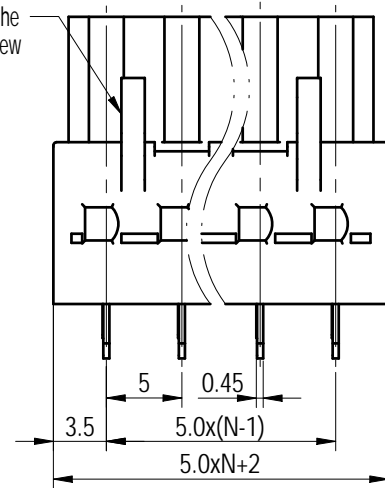


PCB LAYOUT



02P: Clasp on the left from this view



未注公差/General tolerances (mm)													0.1/10	
0 ~ 3	>3 ~ 6	>6 ~ 10	>10 ~ 18	>18 ~ 30	>30 ~ 50	>50 ~ 80	>80 ~ 120	>120 ~ 180	>180 ~ 250	>250 ~ 315	>315 ~ 400	>400 ~ 500		>500
±0.12	±0.18	±0.22	±0.26	±0.31	±0.37	±0.57	±0.80	±0.93	±1.05	±1.15	±1.60	±2.20	±2.50	±2°

Note:  
The A&Z (H) in the name means: A(H) and Z(H).

ITEM	NAME OF PART	MATERIAL	NOTES
2	Housing	PA66	UL94V-0
1	Pin header	Copper alloy	Sn Plated

UL 标准/UL Standard:	B	C	D
额定电压/电流/Rated Voltage(V)/Current(A)	300/15	/	300/10
IEC 标准/IEC Standard:			
过压类别/Overvoltage Category/污染等级/Pollution Degree	III/3	III/2	II/2
额定电压/电流/Rated Voltage(V)/Current(A)	320/20	320/20	630/20
额定脉冲电压(KV)/Rate Impulse Voltage(KV)	4	4	4
间距/Pitch(mm)/线数范围/Poles	5.0/N=02~24P		
使用温度范围/Operating temperature(°C)	-40~+105		
符合RoHS环保要求/Conform to RoHS	Yes		
标准颜色编号/Standard color number: PANTONE / RAL	/		



APPD: 兰春华	2022.10.12
CHKD: 龚耀志	2022.10.12
DRFT: 刘强	2022.10.12

MATERIAL:	SURFACE/COLOR:		
MAT NO./REV:	/ 00	MAT STATUS: 批量	
NAME			
2EDGB-5.0-XXP-1Y-00A&Z(H)			
DRAWING NO.	TYPE	DRAWING STATUS	SCALE
200030385	CUSTOMER DRAWING	已发布	2:1
		SHEET	1/1

REV	ECN	DESCRIPTION	DRFT	DATE	比例
00			刘强	2022.10.12	A4

Transfer or duplication of this document as well as the utilization or communication of its contents are prohibited without the prior written consent of DEGSON. 未经授权，不得复制或传播本文件内容，否则将承担法律责任。 All rights reserved for patent. 所有权利保留，未经许可，不得擅自复制或传播本文件内容。