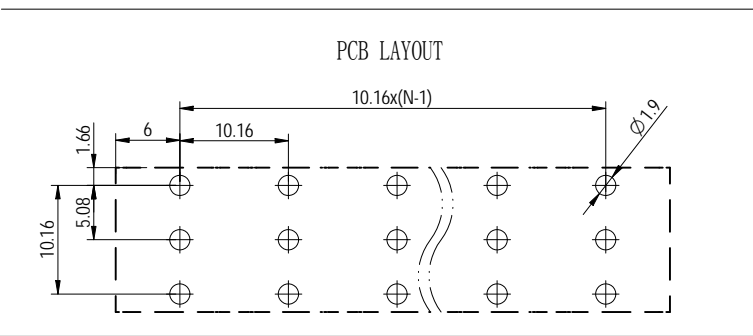
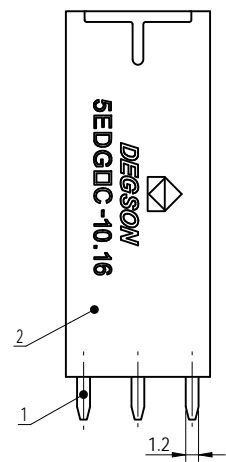
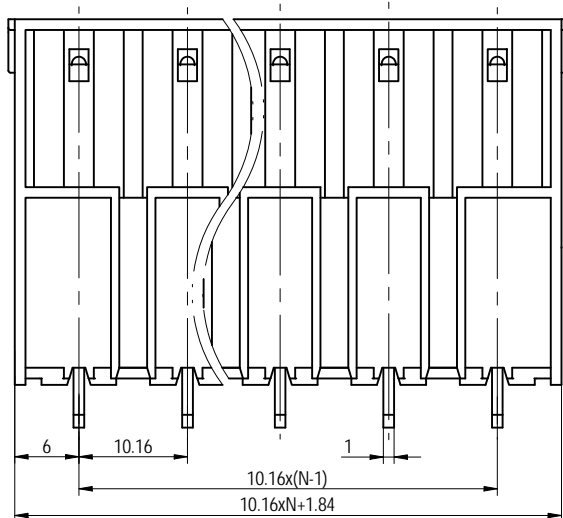
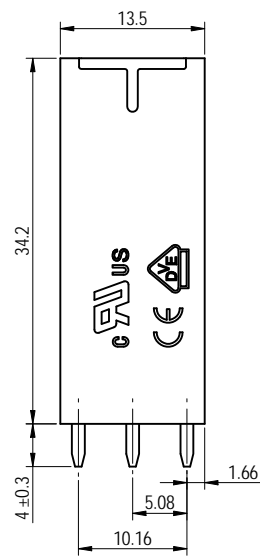
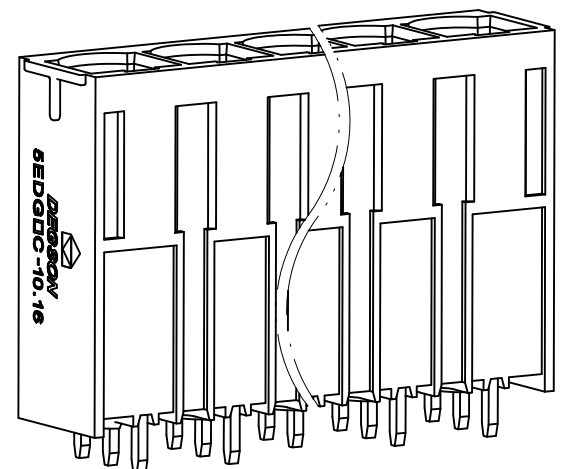
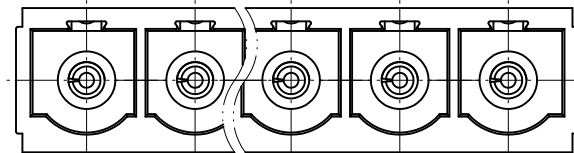


未注公差/General tolerances (mm)											D			
0	>3	>6	>10	>18	>30	>50	>80	>120	>180	>250		>315	>400	>500
~	~	~	~	~	~	~	~	~	~	~	~	~	~	0.1/10
±0.12	±0.18	±0.22	±0.26	±0.31	±0.37	±0.57	±0.80	±0.93	±1.05	±1.15	±1.60	±2.20	±2.50	±2



Note:
The A&Z(H) in the name means: A(H) and Z(H).

ITEM	NAME OF PART	MATERIAL	NOTES
2	Housing	PA66	UL94V-0
1	Pin header	Copper	Ag Plated

UL 标准/UL Standard:	B	C	D
额定电压/电流/Rated Voltage(V)/Current(A)	300/52	300/52	600/5
IEC 标准/IEC Standard:			
过压类别/Overvoltage Category/污染等级/Pollution Degree	III/3	III/2	II/2
额定电压/电流/Rated Voltage(V)/Current(A)	600/57	/	/
额定脉冲电压(KV)/Rate Impulse Voltage(KV)	6	/	/
间距/Pitch(mm)/线数范围/Poles	10.16/N=02-08P		
使用温度范围/Operating temperature(°C)	-40--+105		
符合RoHS环保要求/Conform to RoHS	Yes		
标准颜色编号/Standard color number: PANTONE / RAL	/		

	MATERIAL:	SURFACE/COLOR:			
	MAT NO./REV:	/ 00	MAT STATUS: 批量		
APPD: 兰春华	2022.10.12	NAME: 5EDGVC-10.16-XXP-1Y-00A&Z(H)			
CHKD: 黄耀志	2022.10.12	DRAWING NO.	TYPE	DRAWING STATUS	SCALE
DRFT: 刘强	2022.10.12	200030388	CUSTOMER DRAWING	已发布	2:1
REV	ECN	DESCRIPTION	DRFT	DATE	SHEET
00				2022.10.12	1/1

Transfer or duplication of this document, as well as the utilization or reproduction of its contents without the written consent of DEGSON, is strictly prohibited. All rights reserved for patent.