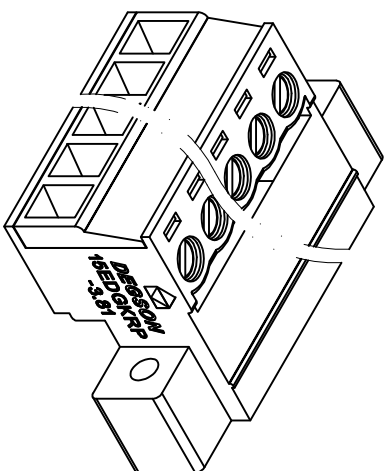
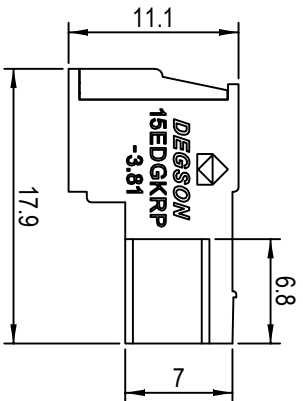
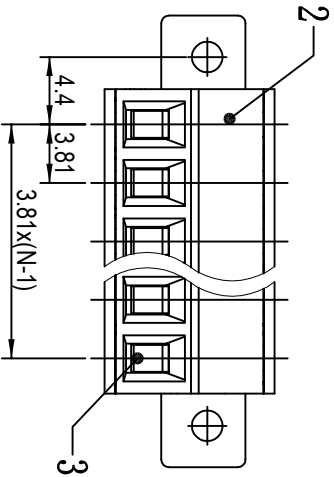
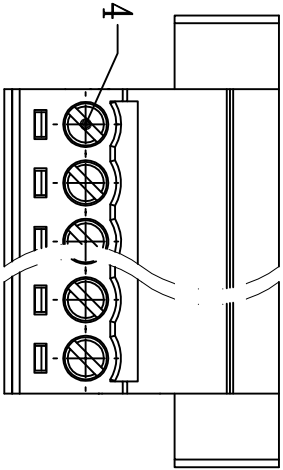
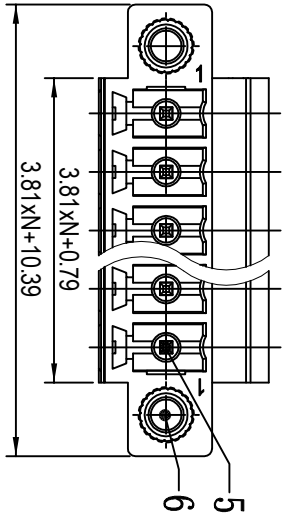


公差/General tolerances(mm)		0.1/10
0	>3	~
3	~6	~
6	>10	~
10	>18	~
18	~30	~
30	~50	~
50	~80	~
80	>120	~
120	~180	~
180	~250	~
250	~315	~
315	~400	~
400	~500	~
500	>500	~
±0.12/±0.18/±0.22/±0.26/±0.31/±0.37/±0.57/±0.80/±0.93/±1.05/±1.15/±1.50/±2.20/±2.50		±Z



ITEM	NAME OF PART	MATERIAL	NOTES
6	Screw cap	Copper alloy	M2.5
5	Pin	Copper	Sn Plated
4	Screw	Steel	M2Zn Plated
3	Cage	Copper alloy	M2NI Plated
2	Cover	PA66	UL94V-0
1	Housing	PA66	UL94V-0

UL 标准/UL Standard:		B	C	D
额定电压/Rated Voltage(V)	额定电流/Rated Current(A)	300/8	/	/
IEC 标准/IEC Standard:				
过压类别/Overvoltage Category/污染等级/Pollution Degree				
额定电压/Rated Voltage(V)	额定电流/Rated Current(A)	111/3	111/2	11/2
额定脉冲电压(KV)/Rate Impulse Voltage(KV)		/	/	250/7
额定扭矩/Torque Tightening(N·m/Lb·in)		/	/	2.5
线径范围(硬线和软线)/Wire Range(rigid and flexible)(AWG/mm²)		28-16/1.5		
间距/Pitch(mm)/线数范围/Poles		3.81/N=02-18P		
剥线长度/Stripping length(mm)		6-7		
使用温度范围/Operating temperature(°C)		-40-+105		
符合RoHS环保要求/Conform to RoHS		Yes		



MATERIAL:	SURFACE/COLOR:
MAT NO./REV:	MAT STATUS: 批号

APD: 兰春华	2024.02.28	NAME	15EDGKRP-3.81-XXP-1Y-00AAZ(H)
CMD: 李耀志	2024.02.28	DRAWING NO.	200020011
DRT: 朱岳鹏	2024.02.28	TYPE	CUSTOMER DRAWING
DFT: 朱岳鹏	2024.02.28	DRAWING STATUS	已发布
DATE		SCALE	2:1
		SHEET	1/1

REV	ECN	DESCRIPTION
01		1号正品铭牌字

1 2 3 4 5 6