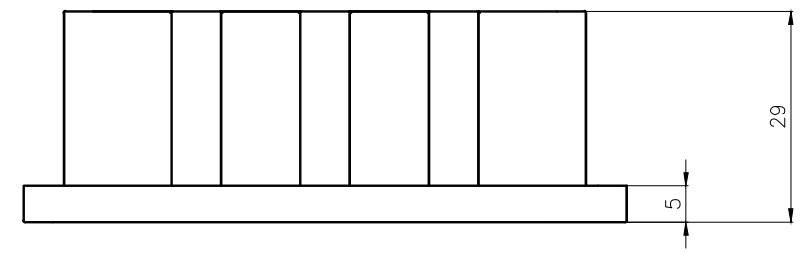
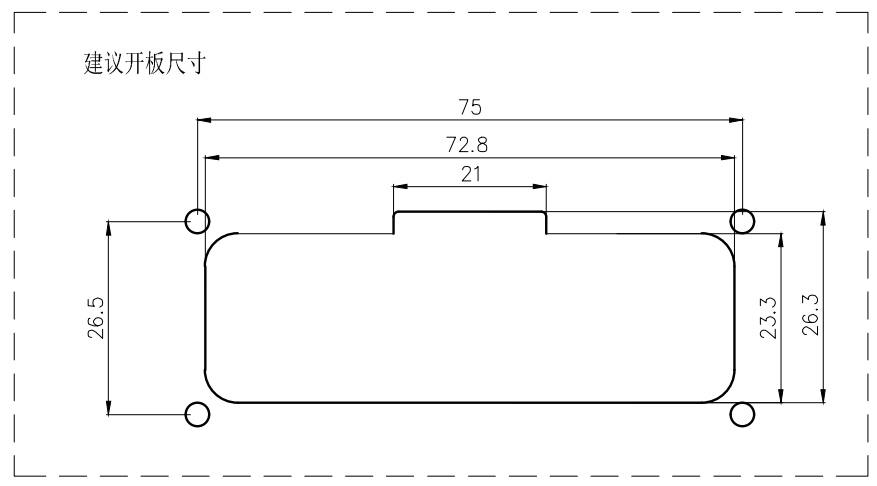
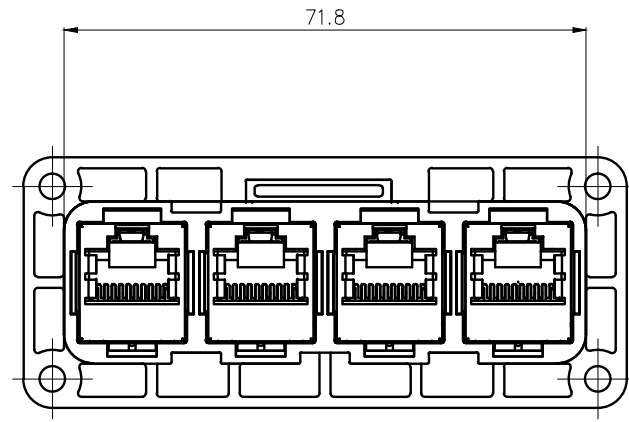
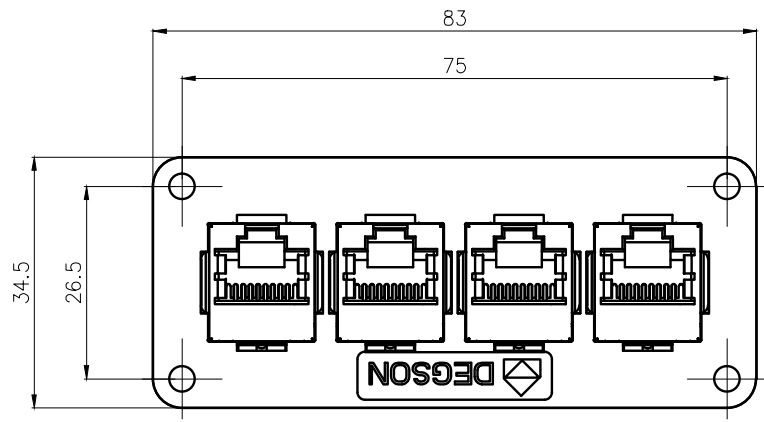


Dimensional tolerance(mm)					Length tolerance(mm)			0.10/10 ±2°
0 ~ 30	>30 ~ 60	>60 ~ 100	>100 ~ 150	>150	0 ~ 5000	>5000 ~ 10000	>10000 ~ 30000	
±0.25	±0.35	±0.55	±0.80	±1.10	±55	±105	±205	±505
额定电压电流/Rated Voltage/Current								150V/1.5A
绝缘电阻/Insulation resistance								1000MΩ/500V DC
接触电阻/Contact resistance								≤20mΩ
传输速率(Transmission rate)								CAT5E
插入/拔出力(Insertion/extraction force)								30N
使用温度范围/Operating temperature(°C)								-40~+85°C
阻燃等级(Flame retardant rating)								UL94V-0
符合RoHS环保要求/Conform to RoHS								Yes



Transfer or duplication of this document as well as the utilization or communication of its contents are prohibited unless explicit authorization is granted. Violations will be liable for compensation. All rights reserved for patent, utility model or design registrations. 未经授权，不得复制或传播本文件内容。未经本公司书面许可，不得复制或传播本文件内容。本公司保留所有权利。

REV	ECN	DESCRIPTION	DRFT	DATE
			Shu J	2023.07.10

		MATERIAL: /	SURFACE/COLOR: /	
APPD:		MAT NO./REV: /	MAT STATUS:	
CHKD:		NAME: DGK17-019-01-00AH		
DRFT	Shu J	2023.07.10	DRAWING NO.	TYPE: PRODUCT DRAWING
SCALE: 1:1		DRAWING STATUS: /		SHEET: 1/1