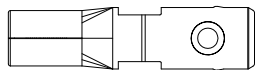
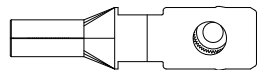


锁板螺钉

锁铜排螺钉



30A 载流体4PCS 散装

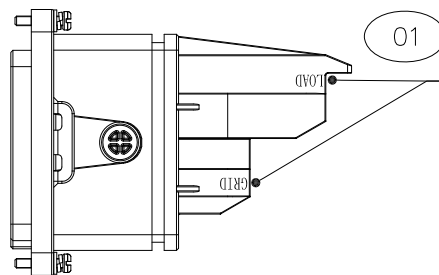
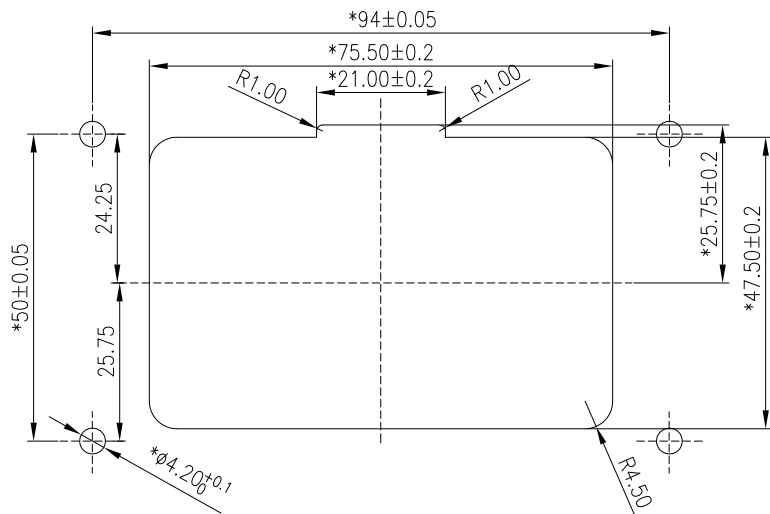
65A 载流体6PCS 散装

锁铜排螺钉 02

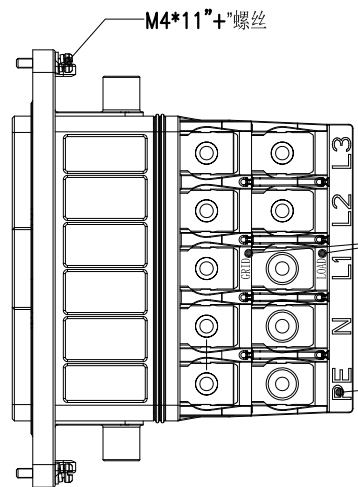


M4*8
10PCS 装一袋

建议开孔尺寸

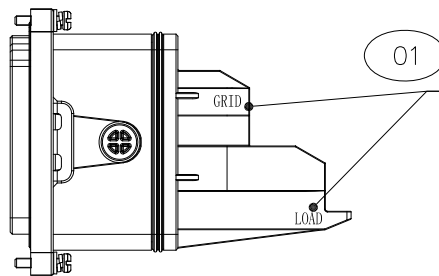


激光打标
字体: TTF字体Arial
字高: 3mm



激光打标
字体: TTF字体Arial
字高: 3mm

激光打标
字体: TTF字体Arial
字高: 5mm



激光打标
字体: TTF字体Arial
字高: 3mm

尺寸公差(mm)					电子线长度尺寸公差(mm)					0.05/10 ±T
0 ~ 30	>30 ~ 60	>60 ~ 100	>100 ~ 150	>150	0 ~ 50	50 ~ 150	150 ~ 300	300 ~ 1000	>1000	
±0.20	±0.30	±0.50	±0.70	±1.00	±5	±10	±15	±25	±35	
额定电压/电流/Rated Voltage(V)/Current(A)										600V/ 65A/30A
绝缘电阻/Insulation Resistance										100MΩ
耐电压/Withstanding Voltage										2.2KV
接触阻抗/Contact Resistance										≤4.5mΩ
接线范围/Clamping range										8AWG(50A)/10AWG(25A)
防水等级/Levels of protection										IP66
使用温度范围/Operating temperature(°C)										-40~+125°C
符合RoHS环保要求/Conform to RoHS										Yes

		MATERIAL: /	SURFACE/COLOR: /		
MAT NO./REV: 20140000054/00		MAT STATUS: /			
NAME		PV-AC-F-PS-10P-65A-6-01Z (H)			
DRFT: YU JH 2024.06.05	DRAWING NO. 200108029	TYPE PRODUCT DRAWING	DRAWING STATUS /	SCALE 1:1	SHEET 1/1

02		更新载流体螺丝	YU JH	2024.10.08	APPD:		
01		更新激光打标	YU JH	2024.08.27	CHKD:		
00					DRFT:	YU JH	2024.06.05
REV	ECN	DESCRIPTION	DRFT	DATE			

Transfer or duplication of this document as well as the utilization or communication of its contents are prohibited unless explicit authorization is granted. Violations will be liable for compensation. All rights reserved for patent, utility model or designers registrations. 未经许可复制或传播本文件内容, 一经发现, 侵权必究。 侵权者将承担法律责任。 未经许可复制或传播本文件内容, 一经发现, 侵权必究。 侵权者将承担法律责任。