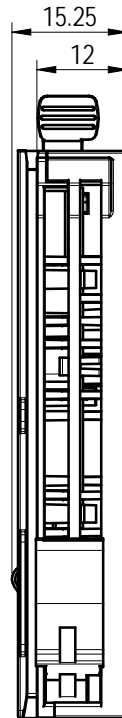
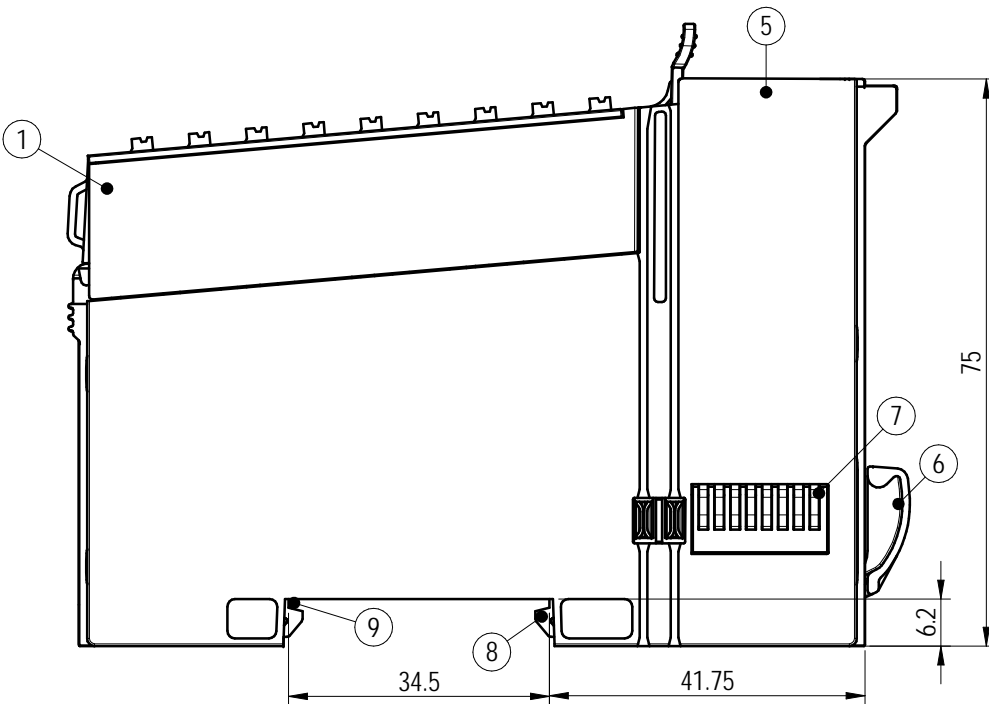


Assembly diagram



未注公差/General tolerances (mm)													0.1/10
0	>3	>6	>10	>18	>30	>50	>80	>120	>180	>250	>315	>400	
~3	~6	~10	~18	~30	~50	~80	~120	~180	~250	~315	~400	~500	~500
±0.12	±0.18	±0.22	±0.26	±0.31	±0.37	±0.57	±0.80	±0.93	±1.05	±1.15	±1.60	±2.20	±2.50

UL 标准/UL Standard:	B	C	D
额定电压/电流/Rated Voltage(V)/Current(A)	300/8	/	/
IEC 标准/IEC Standard:			
过压类别/Overvoltage Category/污染等级/Pollution Degree	III/3	III/2	II/2
额定电压/电流/Rated Voltage(V)/Current(A)	/	150/8	/
额定脉冲电压(KV/Rate Impulse Voltage(KV)	/	2.5	/
线径范围(硬线和软线)/Wire Range(rigid and flexible)(AWG/mm ²)	26~16 / 0.14~1.5		
间距/Pitch(mm)/线数范围/Poles	N=18P		
剥线长度/Stripping length(mm)	8~10		
使用温度范围/Operating temperature(°C)	-40~+105		
接线次数/Wiring times	30		
符合RoHS环保要求/Conform to RoHS	Yes		

DF700-G-03-00Z(H)	
夹片额定电压电流/Rated Voltage/Current	24V/10A
弹片额定电压电流/Rated Voltage/Current	5V/3A
线数范围/Poles	N=10P
通信速率/Communication rate	100Mbps
使用温度范围/Operating temperature(°C)	-40~+155
符合RoHS环保要求/Conform to RoHS	Yes
回流焊承受温度/Reflow temperature(°C)	265

ITEM	NAME OF PART	MATERIAL	NOTES
9	DF750(200)-PE	Copper alloy	Sn Plated
8	DF700-300-00AH-Card_rail_foot	PA66	UL94V-0
7	DF700-G-03-00A(H)	/	/
6	DF700-DGA-05-00A(H)	PA66+GF%	UL94V-0
5	DF700-RM-housing	PC	UL94V-0
4	DF700-Light guide column cover	PA66	UL94V-0
3	DF700-Light guide column	PC	UL94V-2
2	DF700-LM-housing	PC	UL94V-0
1	DF700-300-18P-C1-1000Z(H)	Grey	/

		MATERIAL:		SURFACE/COLOR:	
		MAT NO./REV: 30060000515-1 / 00		MAT STATUS: work	
APPD: 李根芳	2023.10.23	NAME			
CHKD: 马恩开	2023.10.23	DF700-300-C1-1000Z(H)			
DRFT: 马恩开	2023.10.23				
DRAWING NO.	TYPE	DRAWING STATUS	SCALE	SHEET	
200241794	CUSTOMER DRAWING	work	1:1	1/1	

REV	ECN	DESCRIPTION	DRFT	DATE
00		NEW DRAWING	马恩开	2023.10.23

Transfer or duplication of this document as well as the utilization or communication of its contents are prohibited unless authorized in writing. All rights reserved for patent. 除专利号外，其他内容均受法律保护。未经许可，不得复制或传播。本公司保留对专利及发明、实用新型和外观设计的所有权利。