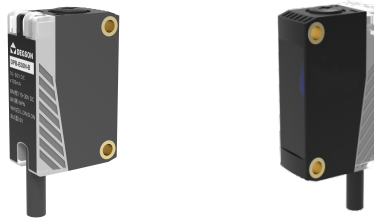


## DPB Series

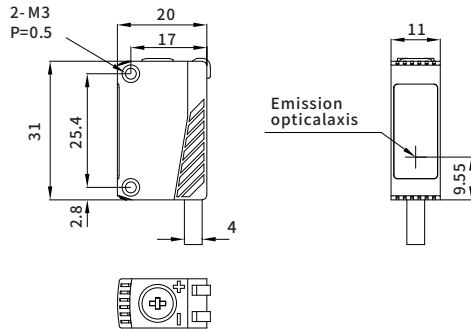


<b>Model</b>	
NPN	DPB-B30N-B
PNP	DPB-B30P-B
<b>Basic Features</b>	
Working principle	Photoelectric Sensors
Enclosure style	Square
How optics work	Diffuse reflection with background suppression
Detection distance	White paper: 2~300mm
Spot size	Ø16mm/300mm
Detection	5mm/0.05m
Light source	Blue LED 465nm (modulated)
Light	Action indicator: red, working indicator: green
Sensitivity regulation	6-turn potentiometer
<b>Electrical Data</b>	
Switch mode	Light.on (Light Action) / D.on (shading action) Switchable
Output mode	NPN or PNP open collector
Response time	≤1.5ms
Switching frequency	≤500Hz
Repeatability	≤5%
Hysteresis( Return/ Response)	≤5%
Operating voltage	10~30V DC
Current consumption	≤20mA
Residual voltage	≤1.5V (100mA)
Load current	≤100mA
Insulation resistance	≥50MΩ (500VDC)
Resistance	≤0.1mA (1000V AC)
Protection circuits	Reverse polarity protection/surge protection/short circuit protection/interference light protection
<b>Environmental Conditions</b>	
Operating ambient temperature	-25~55°C (no freezing)
Storage temperature	-30~70°C (non-icing)
Humidity of the working environment	35~85%RH (no condensation)
Store humidity	35~95%RH (no condensation)
Ambient illumination	Incandescent lamp ≤ 3000 Lux; Sunlight ≤ 10000 Lux
Anti-vibration	10~55Hz, 1.5mm amplitude, XYZ 3 directions for 2 hours each
Ingress protection	IP67
<b>Mechanical Data</b>	
Maximum tightening torque	≤ 0.5Nm
Connection	2m/4 core cable
Size	11.0x31.0x20.0mm
Material	PBT + fiberglass
Weight	0.045kg
Fittings	Screwdriver

**DPB Series**

## Dimensions

## DPB-B30N/P-B



Unit: mm

## Wiring Diagram

## DPB - B30N/P - B

